



Product Evaluation

LVR13 | 1116

Engineering Services Program

The following product has been evaluated for compliance with the wind loads specified in the International Residential Code (IRC) and the International Building Code (IBC).

This product evaluation is not an endorsement of this product or a recommendation that this product be used. The Texas Department of Insurance has not authorized the use of any information contained in the product evaluation for advertising, or other commercial or promotional purpose.

This product evaluation is intended for use by those individuals who are following the design wind load criteria in Chapter 3 of the IRC and Section 1609 of the IBC. The design loads determined for the building or structure shall not exceed the design load rating specified for the products shown in the limitations section of this product evaluation. This product evaluation does not relieve a Texas licensed engineer of his responsibilities as outlined in the Texas Insurance Code, the Texas Administrative Code, and the Texas Engineering Practice Act.

For more information, contact TDI Engineering Services Program at (800) 248-6032.

Evaluation ID: LVR-13

Effective Date: November 1, 2016

Re-evaluation Date: November 2020

Product Name: FL-D-6 Aluminum Louver System, Impact Resistant

Manufacturer: United Enertech, Inc.
3005 South Hickory Street
Chattanooga, TN 37407
(423) 698-7715

General Description:

Louvers manufactured of extruded aluminum and assembled using extruded aluminum blades. The louvers are used for exhaust and intake ventilation openings in the exterior wall of the structure.

Design Drawings:

- "Aluminum Louver System Model FL-D-6," manufactured by United Enertech, Inc., Drawing No. 16-007, Sheets 1–13 of 13, dated January 20, 2016, signed, sealed, and dated January 25, 2016 by Walter A. Tillit, P.E.. The stated drawings will be referred to as approved drawings in this report.

Limitations:

Configurations:

- Single Units
- Multiple Units Horizontally
- Multiple Units Horizontally and Vertically

Mounting Conditions:

- Wall Mount
- Trapped Mount

Wall Construction: The louvers may be mounted to the following types of wall framing:

- Pre-cast concrete, cast-in-place concrete (minimum compressive strength required specified in drawings)
- Grout-filled concrete masonry units (CMU)
- Wood (minimum Southern Yellow Pine dimension lumber, S.G. = 0.55)
- Steel (minimum 1/8" thick, ASTM A500, A653, or A36)

Allowable Design Pressure: The allowable design pressure is a function of mullion construction, mullion spacing, mullion span, mullion connections, and substrate. The maximum allowable design pressure is +/- 150.0 psf. Refer to the approved drawings for the allowable design pressure for a specific installation condition.

Maximum Width: The maximum width of a louver panel unit is 6'-0". Louver panel units may be placed side by side utilizing mullions to achieve an unlimited overall width.

Maximum Height: The maximum height of a louver panel unit is 6'-0". Louver panel units may be stacked to achieve an opening height. For such conditions, the maximum overall height is a function of design pressure, panel width, and mullion span. Refer to the approved drawings for the maximum allowable height.

Product Identification: The louvers must have a manufacturer-produced label that indicates the manufacturer: "United Enertech, Inc.", the name of the product: "Aluminum Louver System FL-D-6", the missile Level: Large Missile, and compliance with TAS-201, TAS-202, and TAS-203.

Impact Resistance: This louver assembly satisfies the Texas Department of Insurance's criteria for protection from windborne debris in both the **Inland I zone** and the **Seaward zone**. The assembly has passed a missile test equivalent to Missile Level D specified in ASTM E 1996. The assembly may be installed at any height on the structure as long as the design pressure rating for the assembly is not exceeded.

Installation:

General Installation Requirements: The louvers must be installed in accordance with the manufacturer's installation instructions, the approved drawings, and this product evaluation report. Copies of the approved drawings must be available on the jobsite during inspection of the louver assembly.

Anchorage: The louver must be anchored to the structure in accordance with the approved drawings. Anchorage of the louvers to concrete, grout-filled concrete masonry units (CMU), wood wall framing, and steel wall framing must follow the mounting conditions, fastener options, and fastener placement specified on the approved drawings.

Note: Keep the manufacturer's installation instructions available on the job site during installation. Use corrosion resistant fasteners as specified in the IRC, the IBC, and the Texas Revisions.

GENERAL NOTES:

1. ALUMINUM LOUVER SYSTEM MODEL FL-D-6 SHOWN ON THIS PRODUCT EVALUATION DOCUMENT (P.E.D.) HAS BEEN VERIFIED FOR COMPLIANCE IN ACCORDANCE WITH THE 2006 EDITION OF THE INTERNATIONAL BUILDING CODE, (I.B.C) AND INTERNATIONAL RESIDENTIAL CODE, (I.R.C) WITH THE 2006 TEXAS REVISIONS, EFFECTIVE JANUARY 1, 2008.

DESIGN WIND LOADS SHALL BE DETERMINED AS PER SECTION 1609 OF THE INTERNATIONAL BUILDING CODE, FOR A BASIC WIND SPEED AS REQUIRED BY THE JURISDICTION WHERE PRODUCT WILL BE INSTALLED, AND FOR A DIRECTIONALITY FACTOR $K_d = 0.85$, IN ACCORDANCE WITH ASCE 7-05 STANDARD, AND SHALL NOT EXCEED THE DESIGN PRESSURE RATING INDICATED ON THIS SHEET.

IN ORDER TO VERIFY THAT ANCHORS ON THIS P.E.D., AS TESTED, WERE NOT OVERSTRESSED, A 33% INCREASE IN ALLOWABLE STRESS FOR WIND LOADS WAS NOT USED IN THEIR ANALYSIS. FASTENERS SPACING TO WOOD HAS BEEN DETERMINED IN ACCORDANCE WITH N.D.S. 2005.

ALUMINUM LOUVER SYSTEM MODEL FL-D-6 ADEQUACY FOR IMPACT AND CYCLIC RESISTANCE HAS BEEN VERIFIED IN ACCORDANCE WITH SECTIONS 1609.1.4 AND R301.2.1.2 OF THE ABOVE MENTIONED CODES RESPECTIVELY, AS PER FLORIDA BUILDING CODE HIGH VELOCITY HURRICANE ZONES PROTOCOLS TAS-201, TAS-202, TAS-203, PER AMERICAN TESTING LAB OF SOUTH FLORIDA REPORTS # 0604.01-01 AND 1207.01, AS WELL AS PER ANSI/AMCA IMPACT STANDARD 540, PER INTERTEK/ARCHITECTURAL TESTING REPORT # E 0370.1-550-18, AND AS PER SUBMITTED STRUCTURAL CALCULATIONS, PERFORMED AS PER SECTION 1604 OF THE ABOVE MENTIONED BUILDING CODE.

2. ALL ALUMINUM EXTRUSIONS SHALL BE 6063-T6 ALLOY (UNLESS OTHERWISE NOTED).

3. ALL SCREWS AND BOLTS INSTALLED AT SEAWARD AREAS TO BE STAINLESS STEEL 304 OR 316 AISI SERIES AND MEET ASTM A167, OR HOT DIPPED GALVANIZED (AFTER FABRICATION) CARBON STEEL AS PER ASTM A 123 OR ASTM A153, OR HOT DIPPED GALVANIZED OR GALVANNEALED (PRIOR TO FABRICATION) AND MEET ASTM A653 WITH 50 ksi YIELD STRENGTH AND 90 hsi TENSILE STRENGTH, PER 2006 TEXAS REVISIONS TO SECTION TO SECTION 1716.1.2 OF THE 2006 I.B.C AND SECTION R324.1.1 OF THE 2006 I.R.C.

ALL SCREWS AND BOLTS INSTALLED AT INLAND I AREAS TO BE STAINLESS STEEL 304 OR 316 AISI SERIES AND MEET ASTM A167, OR HOT SIPPED GALVANIZED (AFTER FABRICATION) CARBON STEEL AS PER ASTM A123 OR ASTM A153, OR HOT DIPPED GALVANIZED OR GALVANNEALED (PRIOR TO FABRICATION) AND MEET ASTM A653; HOT DIP GALVANIZED OR ELECTRO GALVANIZED PER ASTM A641, MECHANICALLY DEPOSITED ZINC COATING PER ASTM B695 OR ELECTRO DEPOSITED ZINC COATINGS PER ASTM BL33, PER THE 2006 TEXAS REVISIONS TO SECTION 1716.1.2 OF THE 2006 I.B.C AND TO SECTION R324.1.2 OF THE 2006 I.R.C.

4. ALL WELDING OF ALUMINUM FRAMING SHALL BE IN ACCORDANCE WITH THE AMERICAN WELDING SOCIETY A.W.S. D.1.2 2004 EDITION REGULATIONS. USE CERTIFIED WELDERS. USE ER-5356 ELECTRODES.

5. JAMB ANCHOR REQUIREMENTS: EMBEDMENT AND EDGE DISTANCE ARE BEYOND ANY FINISH.

(A) TO EXISTING POURED CONCRETE: (MIN. $f'c = 3192$ psi), MIN. EDGE DISTANCE (E.D.) = 2 1/2".
- 1/4"Ø TAPCON ANCHORS W/ 1 3/4" MIN. EMBEDMENT, AS MANUFACTURED BY ITW BUILDEX.

(B) TO EXISTING A.S.T.M. C-90 CONCRETE BLOCK WALL. MIN. EDGE DISTANCE (E.D.) = 2 1/2".
- 1/4"Ø TAPCON ANCHORS W/ 1 1/4" MIN. EMBEDMENT, AS MANUFACTURED BY ITW BUILDEX.

(C) TO EXISTING 2x P.T. WOOD BUCK. MIN. EDGE DISTANCE (E.D.) = 1 1/2".
- 1/4"Ø LAG SCREWS W/ 1 1/2" MIN. EMBEDMENT, AS PER N.D.S. 2012

(D) TO EXISTING MIN. 1/8" THICK STEEL MEMBER (ASTM A-500, A-653 OR A-36) MIN. EDGE DISTANCE (E.D.) = 1/2".
- 1/4"Øx3/4", AS MANUFACTURED BY ITW BUILDEX.

(E) ANCHORS SHALL BE INSTALLED FOLLOWING ALL OF THE RECOMMENDATIONS AND SPECIFICATIONS OF THE ANCHOR'S MANUFACTURER.

6. ANCHORS REQUIRED FOR MULLION CONNECTIONS: SHALL BE AS SPECIFIED ON APPLICABLE SECTIONS SHOWN ON SHEETS 6, 7 & 8 RESPECTIVELY, AND SHEETS 10, 10A, 11 AND 12 RESPECTIVELY.

ANCHORS SHALL BE INSTALLED FOLLOWING ALL OF THE RECOMMENDATIONS AND SPECIFICATIONS OF THE ANCHOR'S MANUFACTURER.

7. THIS LOUVER SYSTEM SHALL ONLY BE INSTALLED IN A LOCATION WHERE THE ROOM BEHIND THE LOUVER IS DESIGNED TO DRAIN WATER PENETRATING INTO THE ROOM, AND THE ROOM WILL HOUSE WATER RESISTANT/WATER PROOF EQUIPMENT, COMPONENTS OR SUPPLIES.

8. THIS LOUVER SHALL BE ONLY INSTALLED IN A LOCATION WHERE THE ROOM BEHIND THE LOUVER IS DESIGNED TO DRAIN WATER PENETRATING INTO THE ROOM, AND THE ROOM WILL HOUSE WATER RESISTANT/WATER PROOF EQUIPMENT, COMPONENTS OR SUPPLIES.

9. ALL ALUMINUM EXTRUSIONS IN CONTACT WITH STEEL, CONCRETE, GROUT FILLED CONCRETE BLOCK AND WOOD SHALL COMPLY WITH SECTION 6.7 OF THE ALUMINUM DESIGN MANUAL 2005 EDITION.

10. SHOP DRAWINGS PREPARED BASED ON THIS T.D.I REPORT AND TAKING INTO ACCOUNT THE SPECIFIC JOB CONDITIONS, SHALL BE SUBMITTED TO THE BUILDING OFFICIAL AS PART OF THE PERMIT DOCUMENTS.

11. SUBSTRATE MATERIAL NOTED ON THIS DRAWING AS EXISTING BY OTHERS, POURED CONCRETE, GROUT FILLED CONCRETE BLOCK AND WOOD MUST WITHSTAND THE LOADS IMPOSED BY THIS PRODUCT.

12. THIS PRODUCT'S INSTALLATION SHALL COMPLY WITH ALL SPECS INDICATED IN THIS DRAWING PLUS ANY BUILDING AND ZONING REGULATIONS PROVIDED BY THE JURISDICTION WHERE PERMIT IS APPLIED TO.

13. WOOD BUCKS BY OTHERS, MUST BE ANCHORED PROPERLY TO TRANSFER LOADS TO THE BUILDING STRUCTURE. WOOD BUCKS MUST BE SOUTHERN PINE, $G = 0.55$.

14. (a) THIS P.E.D. PREPARED BY THIS ENGINEER IS GENERIC AND DOES NOT PROVIDE INFORMATION FOR A SITE SPECIFIC PROJECT; i.e. WHERE THE SITE CONDITIONS DEVIATE FROM THE P.E.D.

(b) CONTRACTOR TO BE RESPONSIBLE FOR THE SELECTION, PURCHASE AND INSTALLATION INCLUDING LIFE SAFETY OF THIS PRODUCT, BASED ON THIS P.E.D., PROVIDED HE/SHE DOES NOT DEVIATE FROM THE CONDITIONS DETAILED ON THIS DOCUMENT. CONSTRUCTION SAFETY AT SITE IS THE CONTRACTOR'S RESPONSIBILITY.

(c) THIS P.E.D. WILL BE CONSIDERED INVALID IF ALTERED BY ANY MEANS.

(d) SITE SPECIFIC PROJECTS SHALL BE PREPARED BY A PROFESSIONAL ENGINEER OR ARCHITECT WHICH WILL BECOME THE ENGINEER OF RECORD (E.O.R.) FOR THE PROJECT AND WHO WILL BE RESPONSIBLE FOR THE PROPER USE OF THE P.E.D. ENGINEER OF RECORD, ACTING AS A DELEGATED ENGINEER TO THE P.E.D. ENGINEER, SHALL SUBMIT TO THIS LATTER THE SITE SPECIFIC DRAWINGS FOR REVIEW.

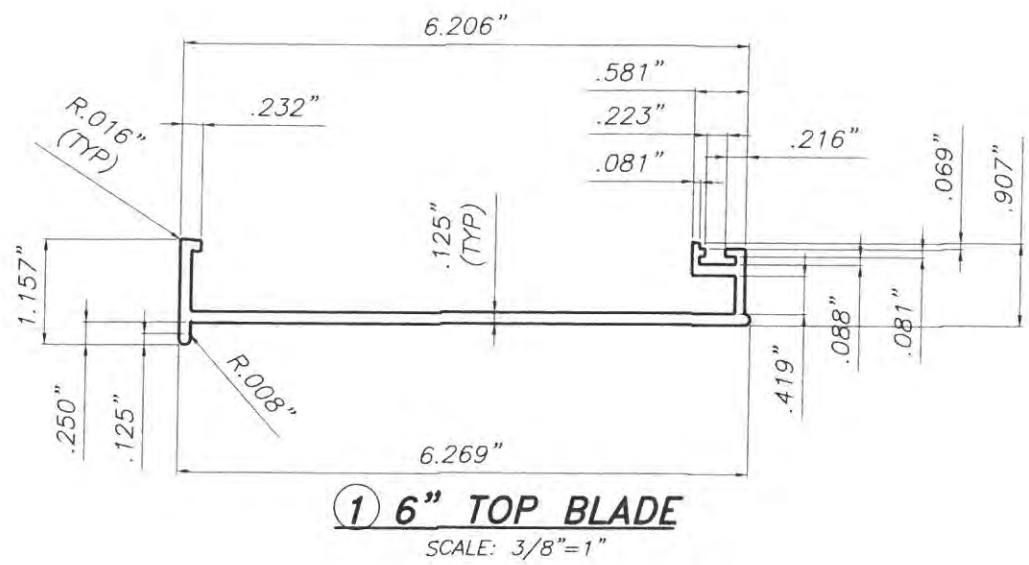
(e) ORIGINAL P.E.D. SHALL BEAR THE DATE AND ORIGINAL SEAL AND SIGNATURE OF THE PROFESSIONAL ENGINEER OF RECORD THAT PREPARED IT.

15. PRODUCT MANUFACTURER'S LABEL SHALL BE LOCATED ON A READILY VISIBLE LOCATION AT PRODUCT IN ACCORDANCE WITH TEXAS DEPARTMENT OF INSURANCE REQUIREMENTS. ONE LABEL SHALL BE PLACED FOR EVERY OPENING.

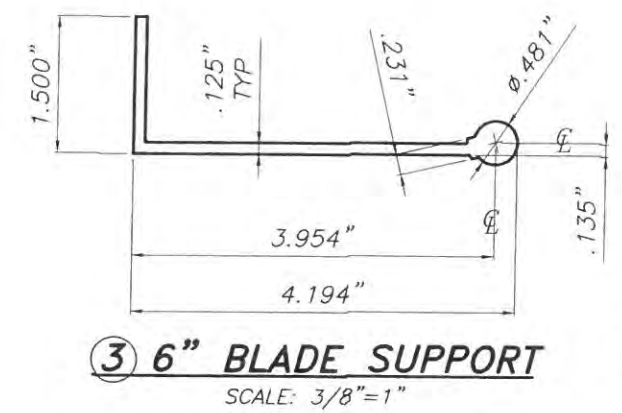
**MAXIMUM DESIGN PRESSURE RATING
+150.0, -150.0 psf.
LARGE MISSILE IMPACT RESISTANCE.**

THIS DRAWING SHALL ONLY BE USED TO OBTAIN PERMITS UNDER THE TEXAS DEPARTMENT OF INSURANCE JURISDICTION

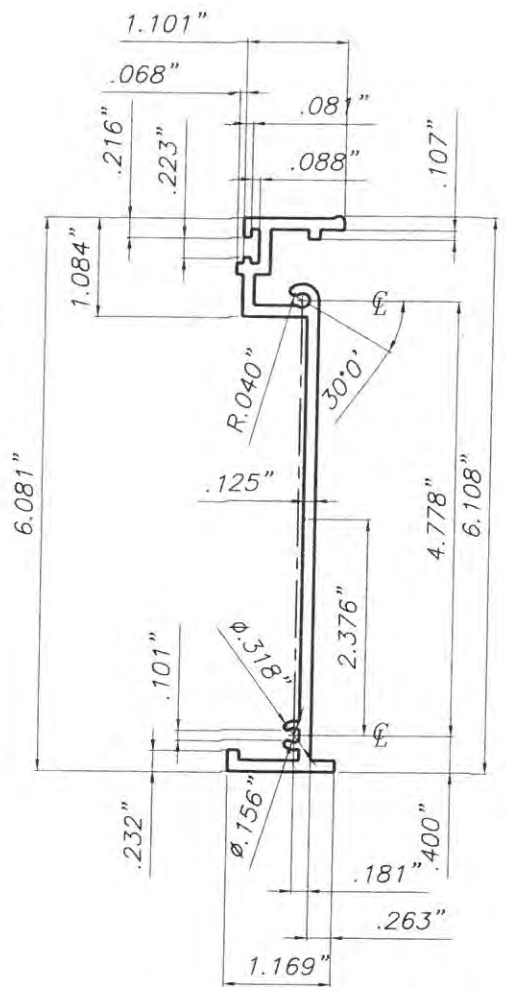
TEXAS DEPARTMENT OF INSURANCE - 2006					
ALUMINUM LOUVER SYSTEM MODEL FL-D-6				M.L. DRAWN BY:	
UNITED ENERTECH, INC. 3005 SOUTH HICKORY ST. CHATTANOOGA, TN 37407 PHONE: (423)698-7715 FAX:(423)698-6629				01/20/16 DATE:	
FIRM REGISTRATION # F-13790				16-007 DRAWING No.	
P.E. SEAL/SIGNATURE/DATE	WALTER A. TILLIT Jr P.E. PROFESSIONAL ENGINEER 6355 N.W 36 STREET, STE. 305 VIRGINIA GARDENS, FL 33166 PHONE(305) 871-1530 FAX (305) 871-1531 TEXAS LIC. # 90691	REV. NO	DESCRIPTION	DATE	REV. No
1/25/16		1	-	-	3
		2	-	-	4
				SHEET 1 OF 13	



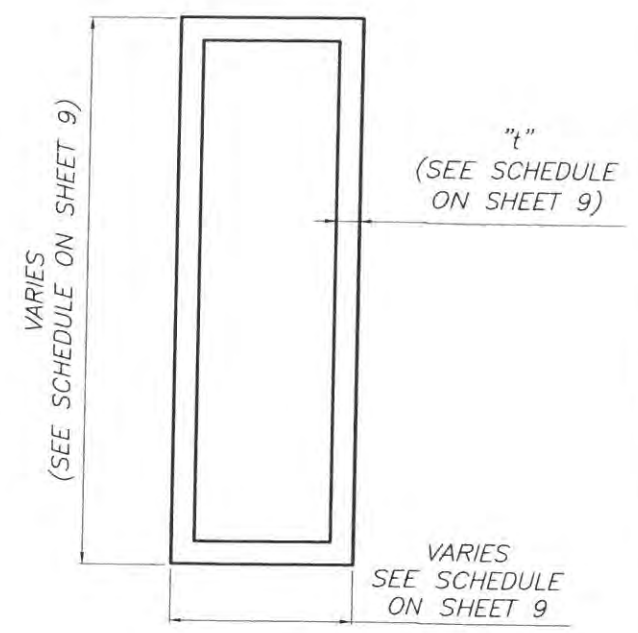
① 6" TOP BLADE
SCALE: 3/8"=1"



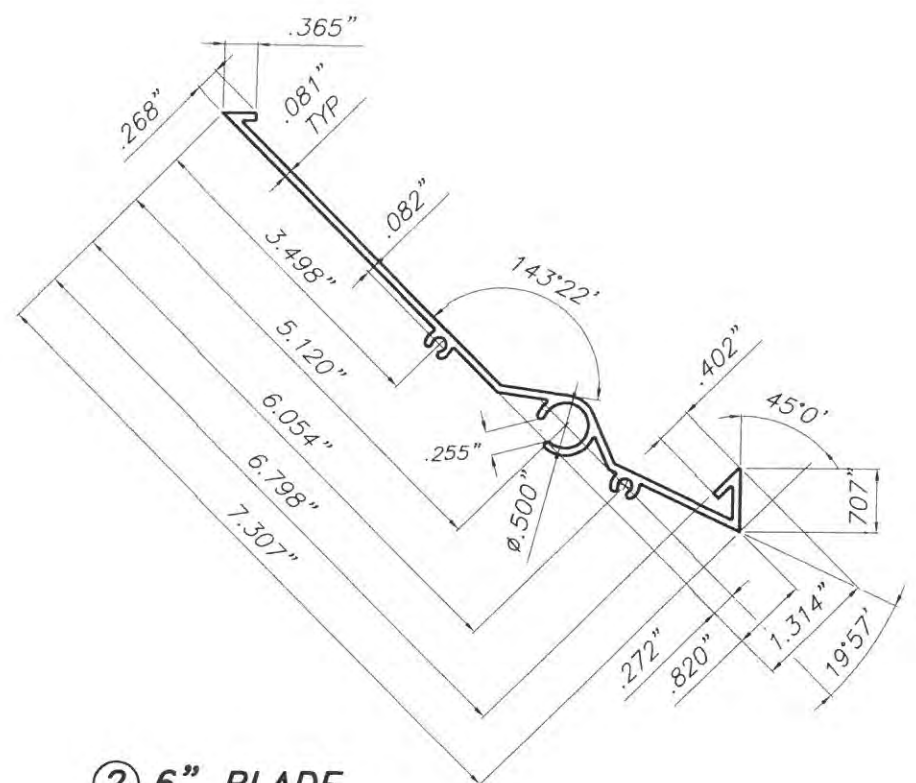
③ 6" BLADE SUPPORT
SCALE: 3/8"=1"



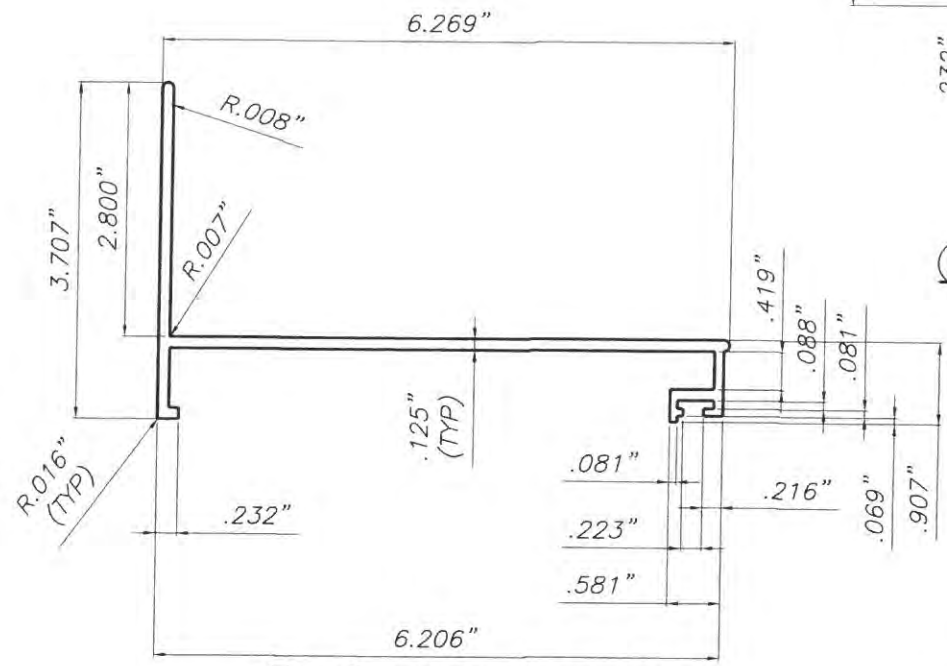
⑤ 6" SIDE JAMB
SCALE: 3/8"=1"



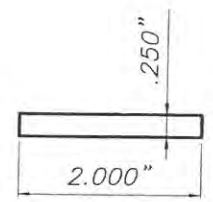
⑦ MULLION
6063-T6 ALLOY
SCALE: 3/8"=1"



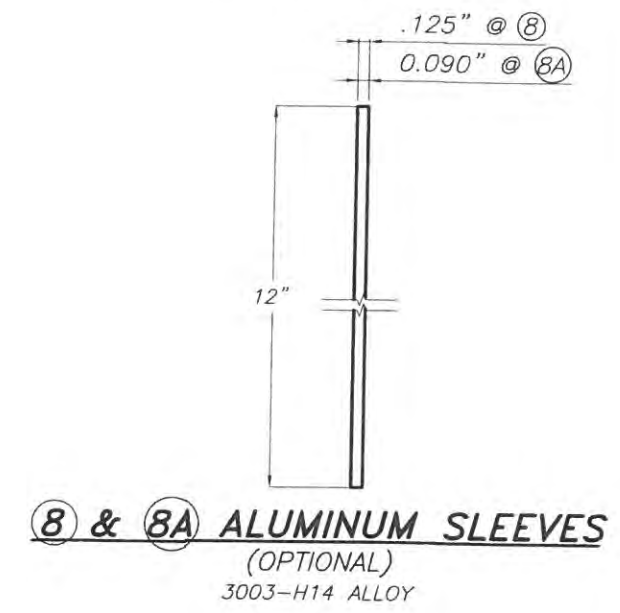
② 6" BLADE
SCALE: 3/8"=1"



④ 6" BOTTOM BLADE
SCALE: 3/8"=1"



⑥ LOUVER IMPACT STRAP
6463-T6 ALLOY
SCALE: 3/8"=1"



⑧ & ⑧A ALUMINUM SLEEVES
(OPTIONAL)
3003-H14 ALLOY

COMPONENTS

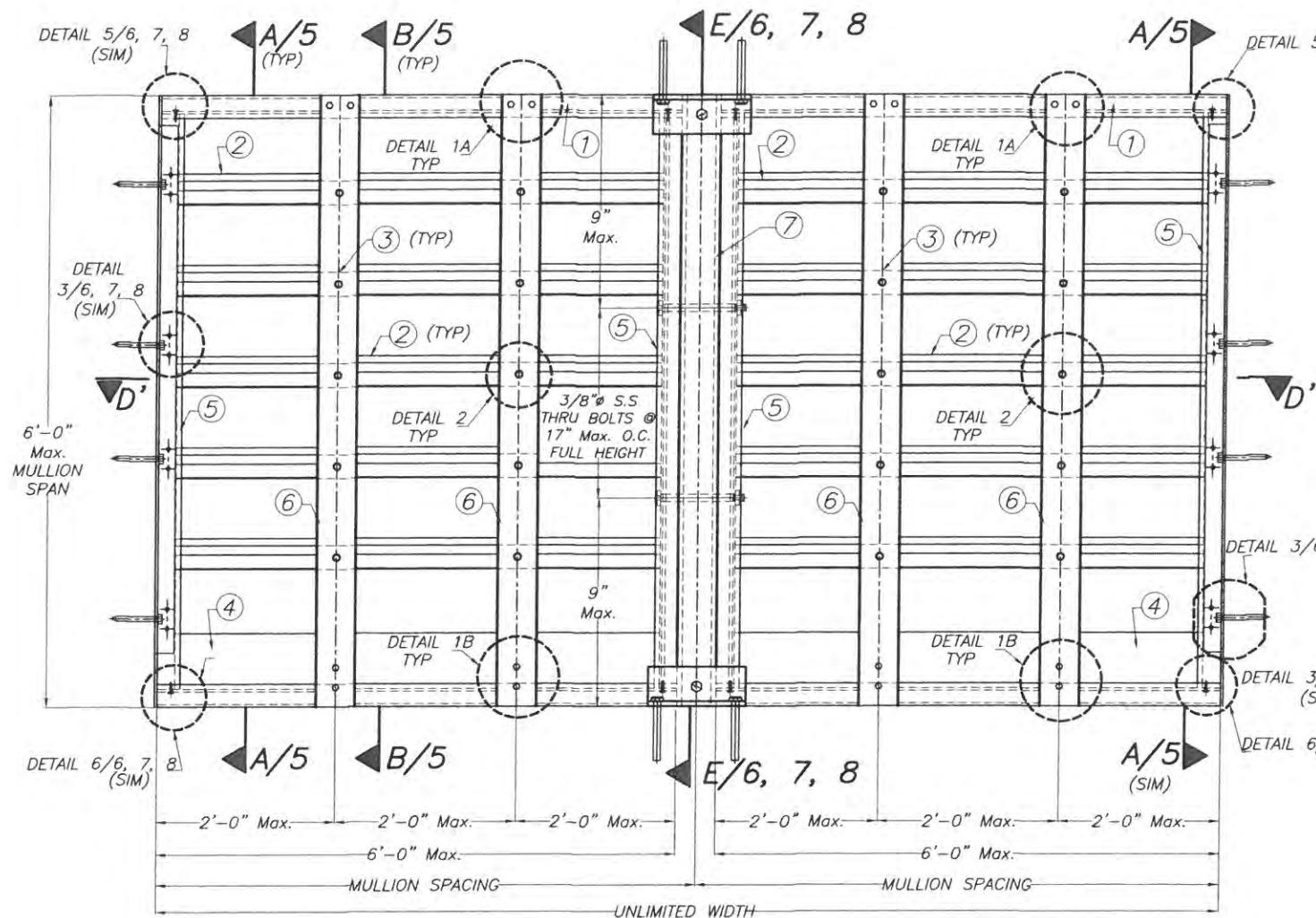
Walter A. Tillit Jr.
1/25/16
P.E. SEAL/SIGNATURE/DATE

WALTER A. TILLIT Jr P.E.
PROFESSIONAL ENGINEER
6355 N.W. 36 STREET, STE. 305
VIRGINIA GARDENS, FL 33166
PHONE(305) 871-1530 FAX (305) 871-1531
TEXAS LIC. # 90691
FIRM REGISTRATION # F-13790

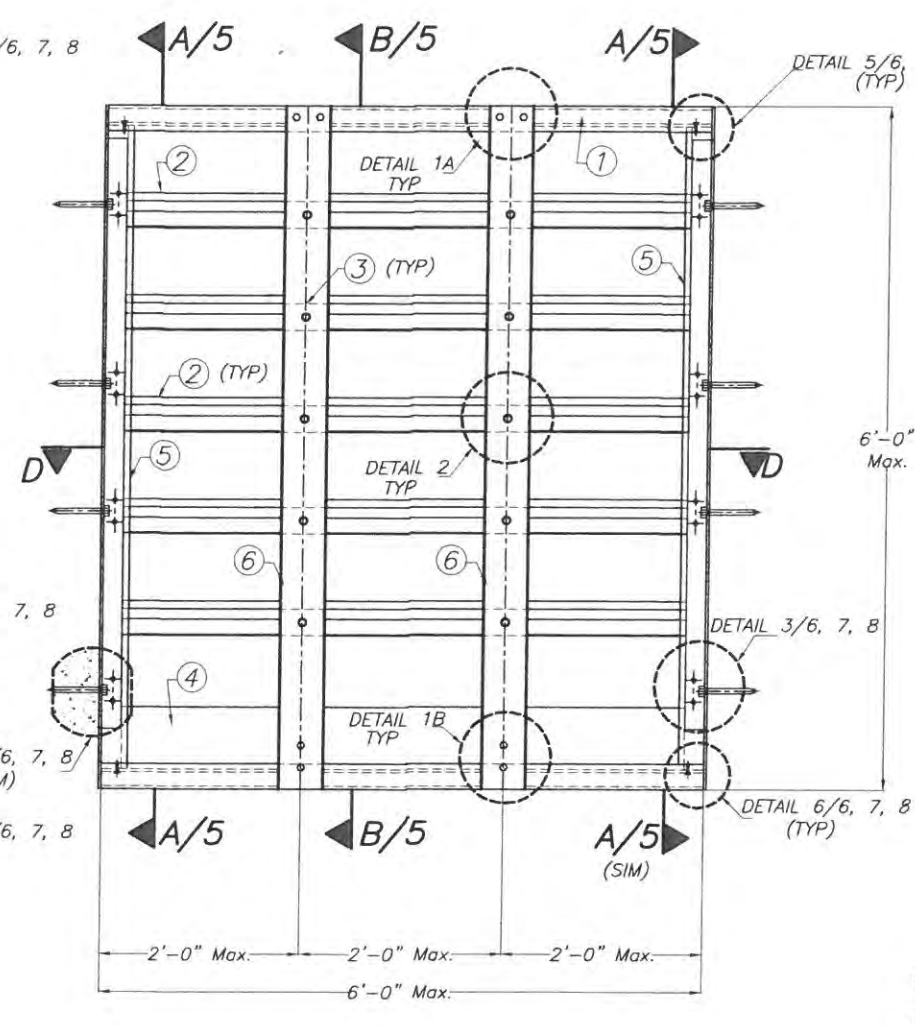
TEXAS DEPARTMENT OF INSURANCE - 2006

ALUMINUM LOUVER SYSTEM MODEL FL-D-6					
UNITED ENERTECH, INC.					
3005 SOUTH HICKORY ST. CHATTANOOGA, TN 37407 PHONE: (423)698-7715 FAX:(423)698-6629					
REV. NO	DESCRIPTION	DATE	REV. No	DESCRIPTION	DATE
1	-	-	3	-	-
2	-	-	4	-	-

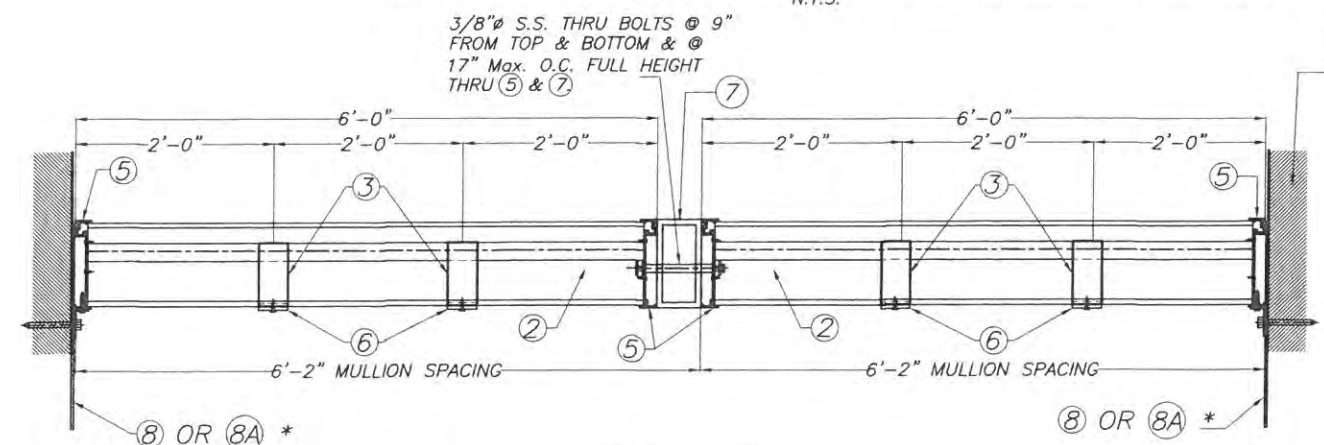
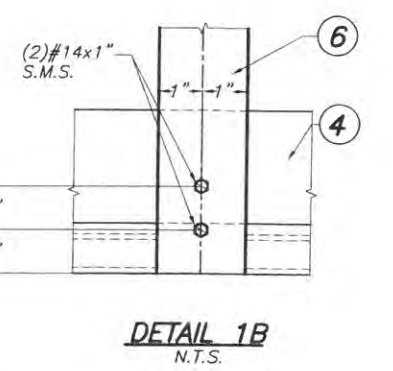
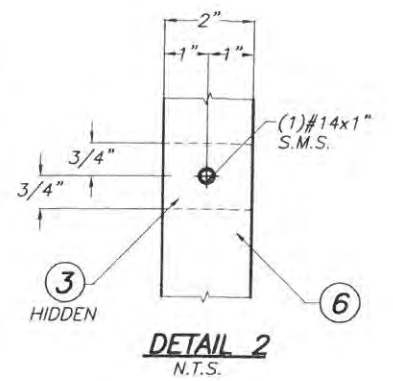
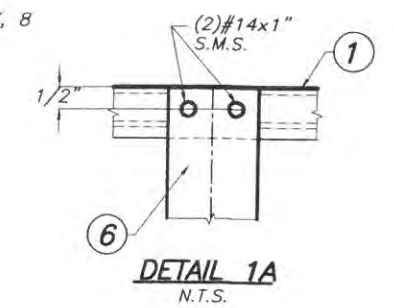
M.L.
DRAWN BY:
01/20/16
DATE:
16-007
DRAWING No.
SHEET 2 OF 13



MULTIPLE UNITS HORIZONTALLY EXPANDED (INTERIOR ELEVATION)
N.T.S.

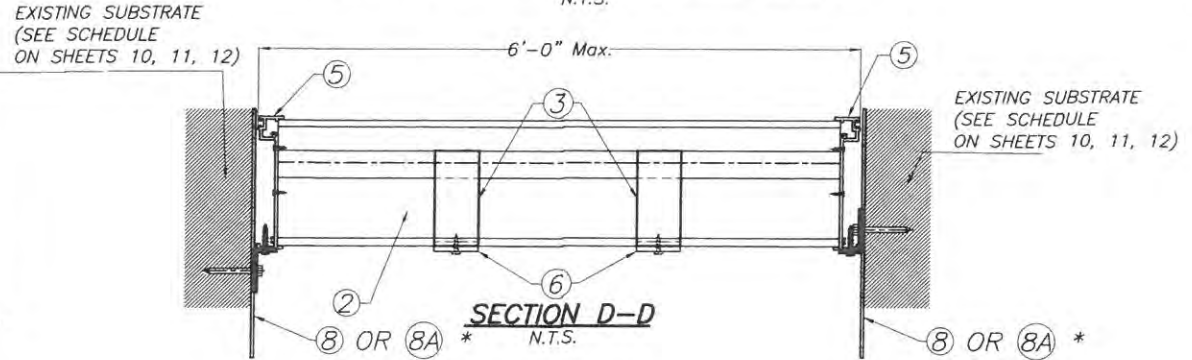


SINGLE UNIT (INTERIOR ELEVATION)
N.T.S.



SECTION D'-D'
N.T.S.

* (8) OR (8A) ARE OPTIONAL

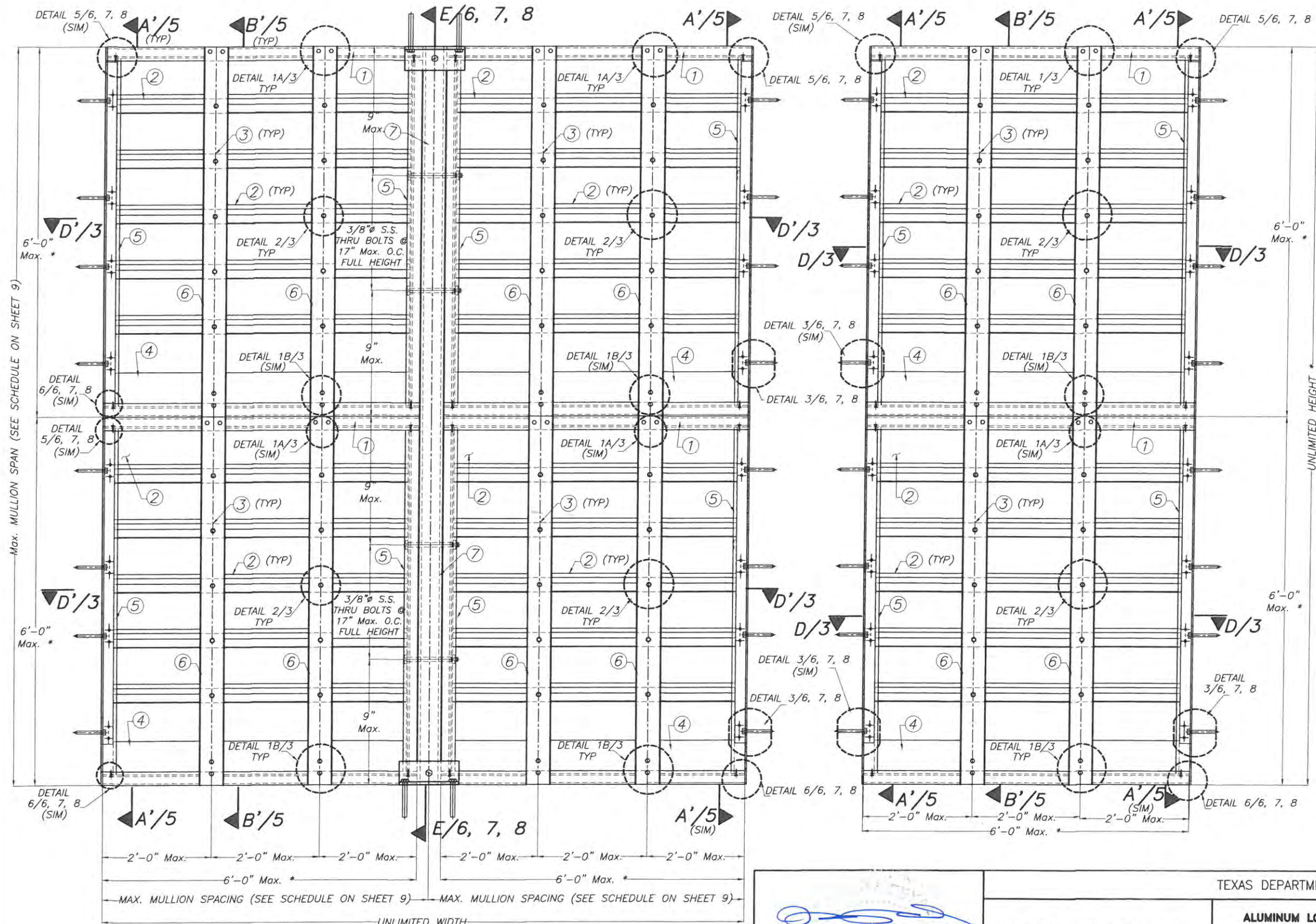


SECTION D-D
N.T.S.

[Signature]
1/25/16
P.E. SEAL/SIGNATURE/DATE

WALTER A. TILLIT Jr P.E.
PROFESSIONAL ENGINEER
6355 N.W. 36 STREET, STE. 305
VIRGINIA GARDENS, FL 33166
PHONE(305) 871-1530 FAX (305) 871-1531
TEXAS LIC. # 90691
FIRM REGISTRATION # F-13790

TEXAS DEPARTMENT OF INSURANCE - 2006					
ALUMINUM LOUVER SYSTEM MODEL FL-D-6					
UNITED ENERTECH, INC.					
3005 SOUTH HICKORY ST. CHATTANOOGA, TN 37407 PHONE: (423)698-7715 FAX:(423)698-6629					
REV. NO	DESCRIPTION	DATE	REV. No	DESCRIPTION	DATE
1	-	-	3	-	-
2	-	-	4	-	-
M.L. DRAWN BY:					M.L.
DATE:					01/20/16
DRAWING No.					16-007
SHEET 3 OF 13					



* NUMBER OF LOUVER PANEL UNITS NEEDED TO ACHIEVE THE OPENING HEIGHT AND WIDTH MAY VARY HOWEVER MAXIMUM UNIT HEIGHT AND WIDTH SHALL NO EXCEED 6'-0".

**SINGLE UNIT
(INTERIOR ELEVATION)**
N.T.S.

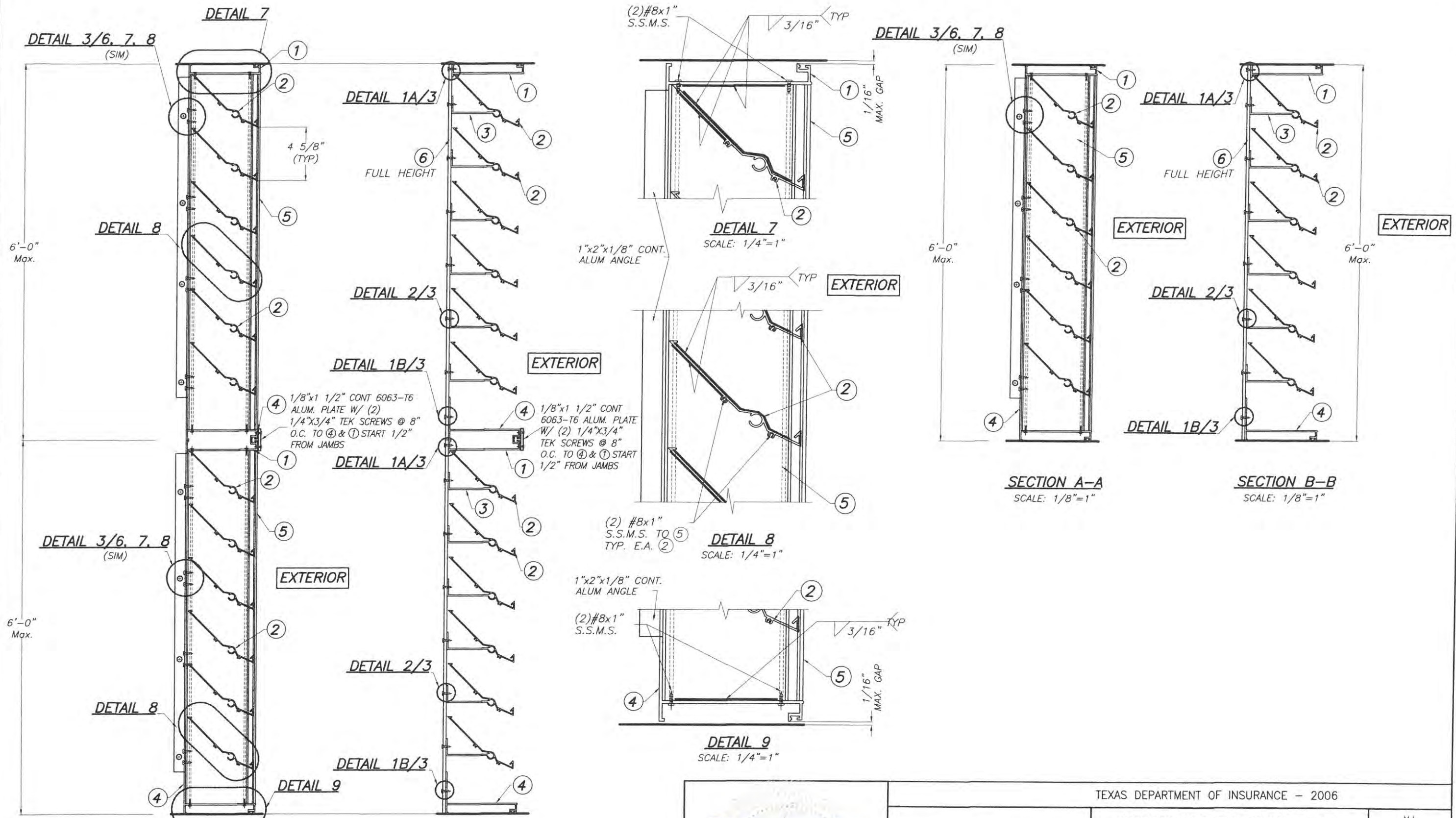
**MULTIPLE UNITS HORIZONTALLY & VERTICALLY
EXPANDED (INTERIOR ELEVATION)**
N.T.S.

[Signature]
1/25/16
P.E. SEAL/SIGNATURE/DATE

WALTER A. TILLIT Jr P.E.
PROFESSIONAL ENGINEER
6355 N.W 36 STREET, STE. 305
VIRGINIA GARDENS, FL 33166
PHONE(305) 871-1530 FAX (305) 871-1531
TEXAS LIC. # 90691
FIRM REGISTRATION # F-13790

TEXAS DEPARTMENT OF INSURANCE - 2006

ALUMINUM LOUVER SYSTEM MODEL FL-D-6			M.L. DRAWN BY:		
UNITED ENERTECH, INC.			01/20/16 DATE:		
3005 SOUTH HICKORY ST. CHATTANOOGA, TN 37407 PHONE: (423)698-7715 FAX:(423)698-6629			16-007 DRAWING No.		
REV. NO	DESCRIPTION	DATE	REV. No	DESCRIPTION	DATE
1	-	-	3	-	-
2	-	-	4	-	-



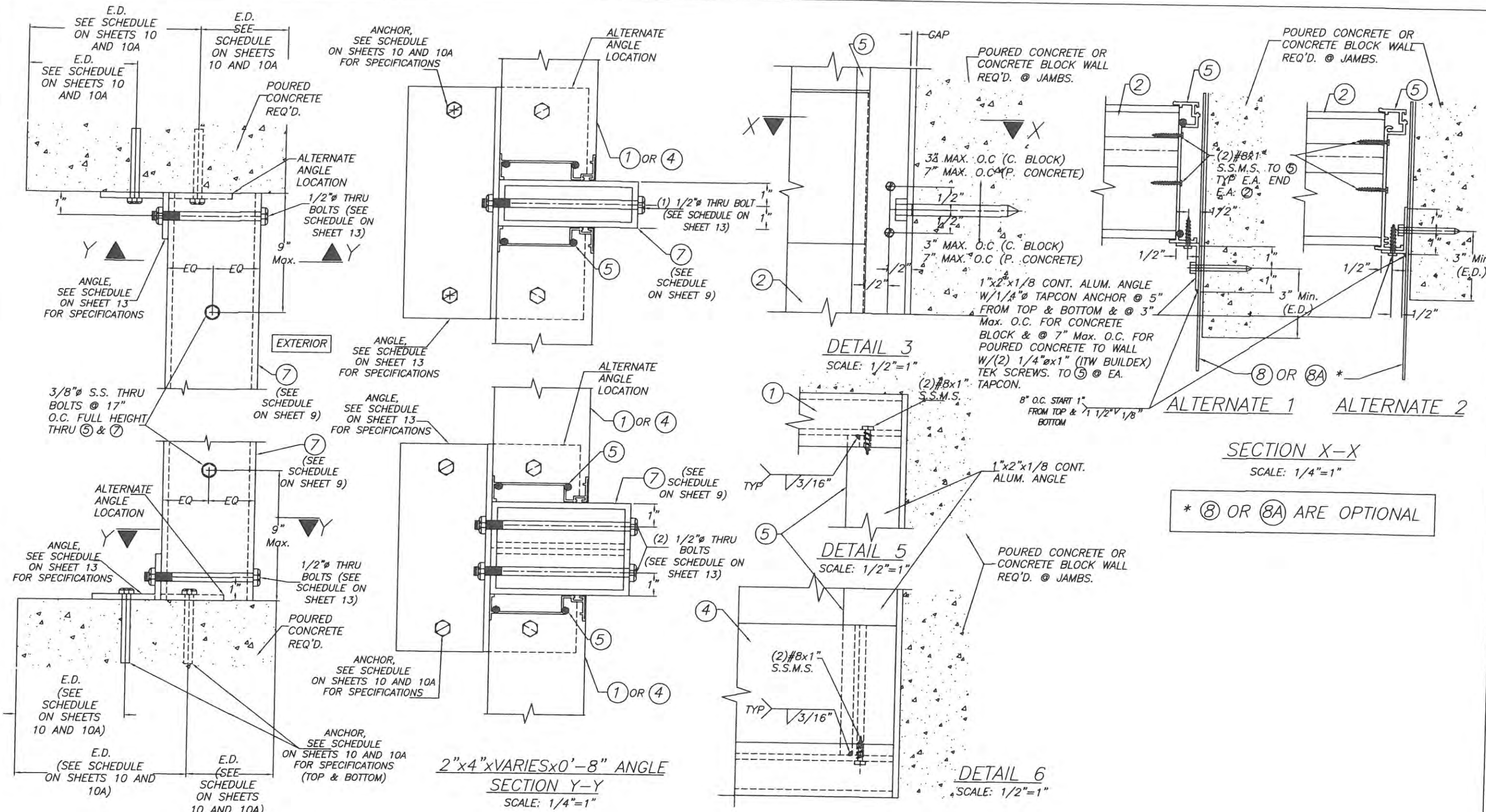
1/25/16

 P.E. SEAL/SIGNATURE/DATE

WALTER A. TILLIT Jr P.E.
 PROFESSIONAL ENGINEER
 6355 N.W. 36 STREET, STE. 305
 VIRGINIA GARDENS, FL 33166
 PHONE (305) 871-1530 FAX (305) 871-1531
 TEXAS LIC. # 90691
 FIRM REGISTRATION # F-13790

TEXAS DEPARTMENT OF INSURANCE - 2006

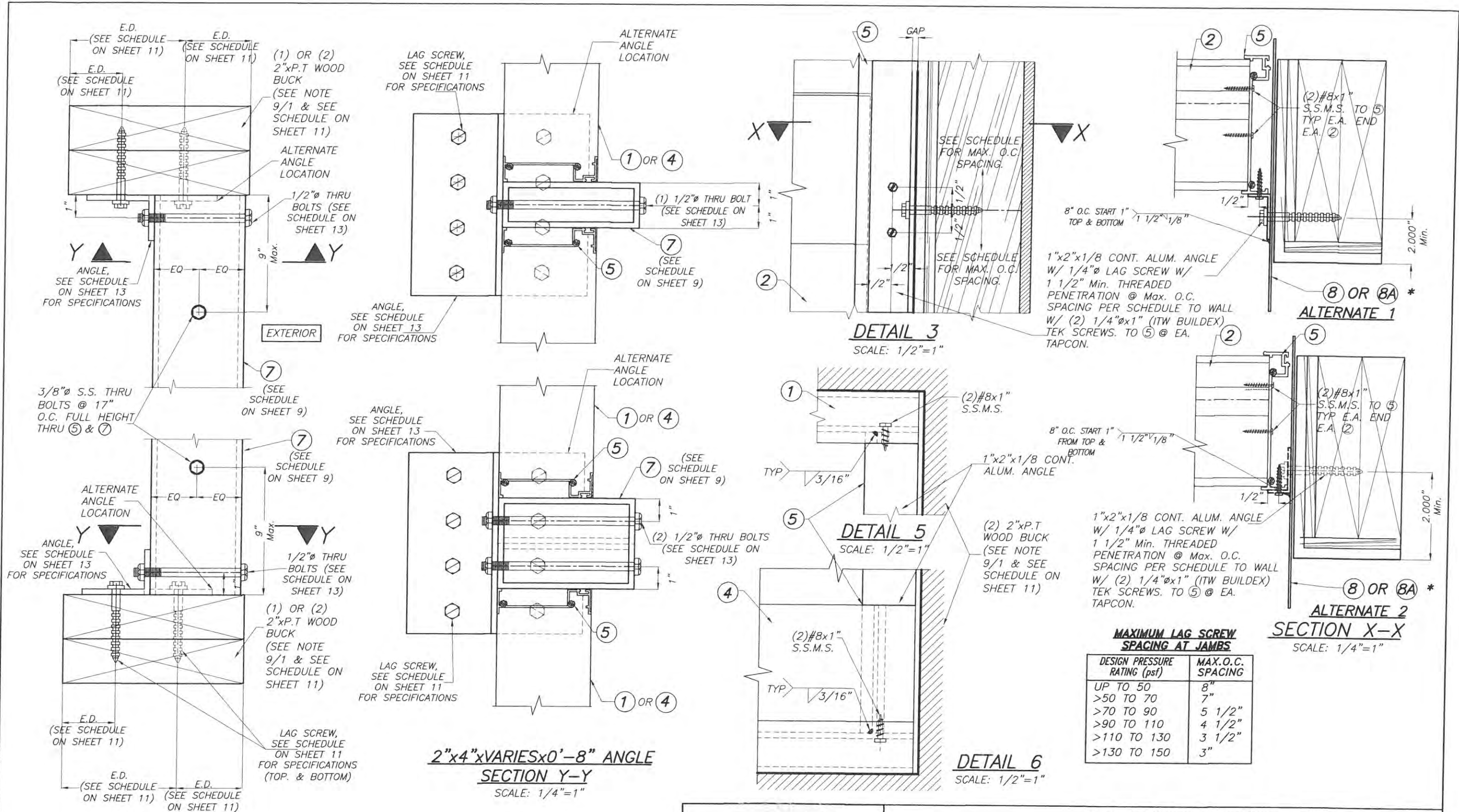
ALUMINUM LOUVER SYSTEM MODEL FL-D-6						M.L. DRAWN BY:																		
UNITED ENERTECH, INC. 3005 SOUTH HICKORY ST. CHATTANOOGA, TN 37407 PHONE: (423)698-7715 FAX:(423)698-6629						01/20/16 DATE:																		
<table border="1"> <thead> <tr> <th>REV. NO</th> <th>DESCRIPTION</th> <th>DATE</th> <th>REV. No</th> <th>DESCRIPTION</th> <th>DATE</th> </tr> </thead> <tbody> <tr> <td>1</td> <td>-</td> <td>-</td> <td>3</td> <td>-</td> <td>-</td> </tr> <tr> <td>2</td> <td>-</td> <td>-</td> <td>4</td> <td>-</td> <td>-</td> </tr> </tbody> </table>						REV. NO	DESCRIPTION	DATE	REV. No	DESCRIPTION	DATE	1	-	-	3	-	-	2	-	-	4	-	-	16-007 DRAWING No.
REV. NO	DESCRIPTION	DATE	REV. No	DESCRIPTION	DATE																			
1	-	-	3	-	-																			
2	-	-	4	-	-																			
						SHEET 5 OF 13																		



MULLION AND JAMB INSTALLATION INTO POURED CONCRETE OR CONCRETE BLOCK.

		TEXAS DEPARTMENT OF INSURANCE - 2006			
		ALUMINUM LOUVER SYSTEM MODEL FL-D-6			
WALTER A. TILLIT Jr P.E. PROFESSIONAL ENGINEER 6355 N.W. 36 STREET, STE. 305 VIRGINIA GARDENS, FL 33166 PHONE(305) 871-1530 FAX (305) 871-1531 TEXAS LIC. # 90691 FIRM REGISTRATION # F-13790		UNITED ENERTECH, INC. 3005 SOUTH HICKORY ST. CHATTANOOGA, TN 37407 PHONE: (423)698-7715 FAX:(423)698-6629		M.L. DRAWN BY: 01/20/16 DATE:	
		P.E. SEAL/SIGNATURE/DATE		16-007 DRAWING No.	

REV. NO	DESCRIPTION	DATE	REV. No	DESCRIPTION	DATE
1	-	-	3	-	-
2	-	-	4	-	-



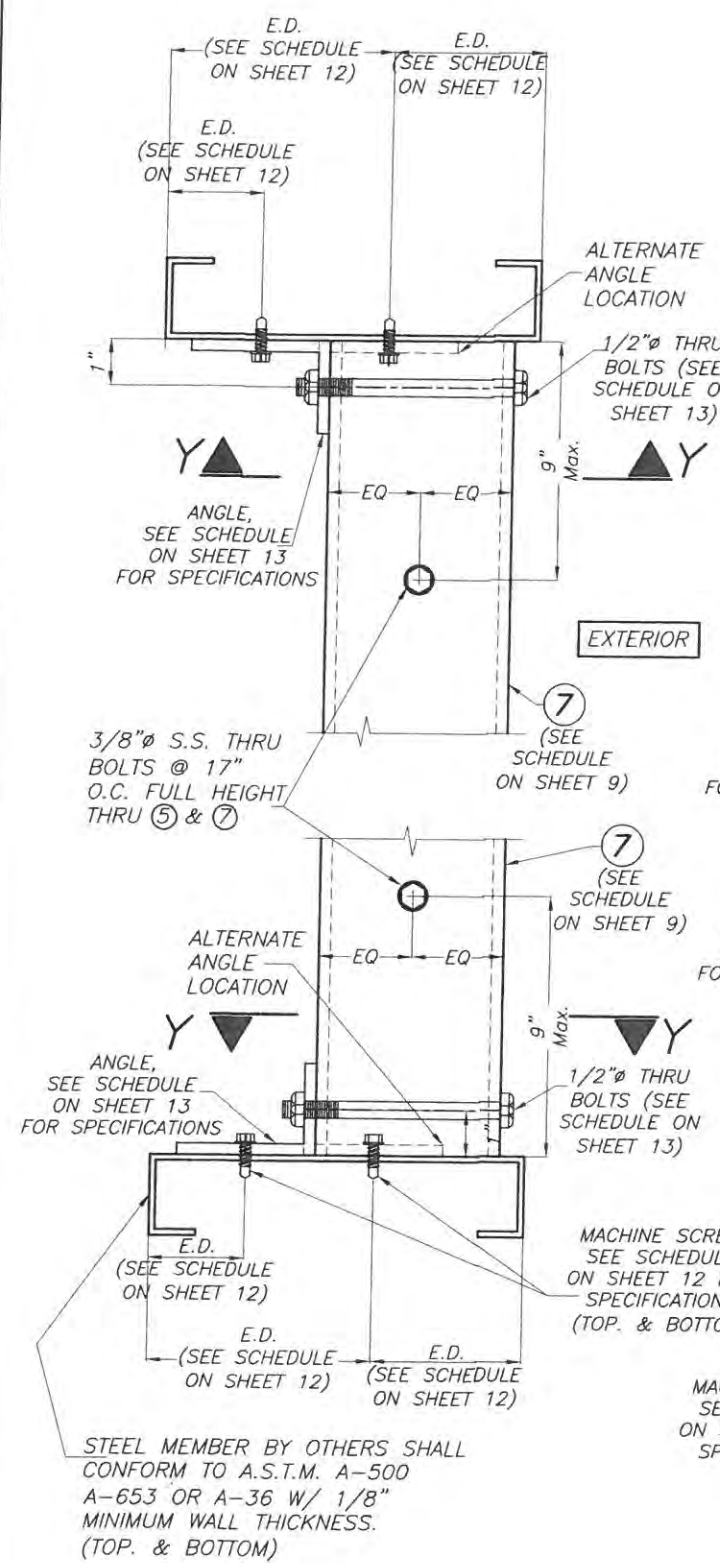
SECTION E-E
SCALE: 1/4"=1"

MULLION AND JAMB INSTALLATION INTO WOOD

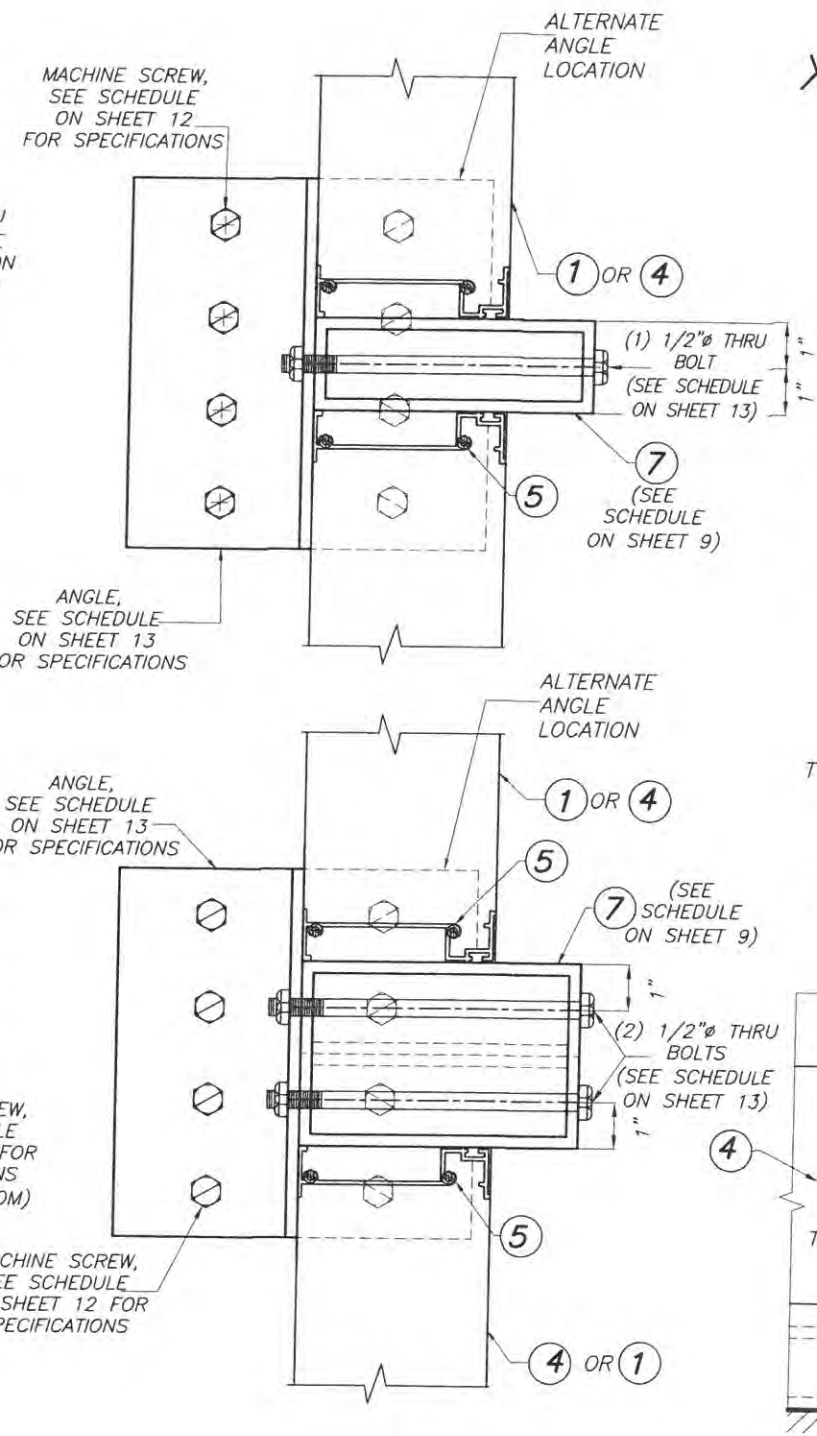
* (8) OR (8A) ARE OPTIONAL

 WALTER A. TILLIT Jr P.E. PROFESSIONAL ENGINEER 6355 N.W. 36 STREET, STE. 305 VIRGINIA GARDENS, FL 33166 PHONE(305) 871-1530 FAX (305) 871-1531 TEXAS LIC. # 90691 FIRM REGISTRATION # F-13790		TEXAS DEPARTMENT OF INSURANCE - 2006			
		ALUMINUM LOUVER SYSTEM MODEL FL-D-6			
UNITED ENERTECH, INC. 3005 SOUTH HICKORY ST. CHATTANOOGA, TN 37407 PHONE: (423)698-7715 FAX:(423)698-6629		M.L. DRAWN BY: 01/20/16 DATE: 16-007 DRAWING No.			
REV. NO 1 2	DESCRIPTION - -	DATE - -	REV. No 3 4	DESCRIPTION - -	DATE - -

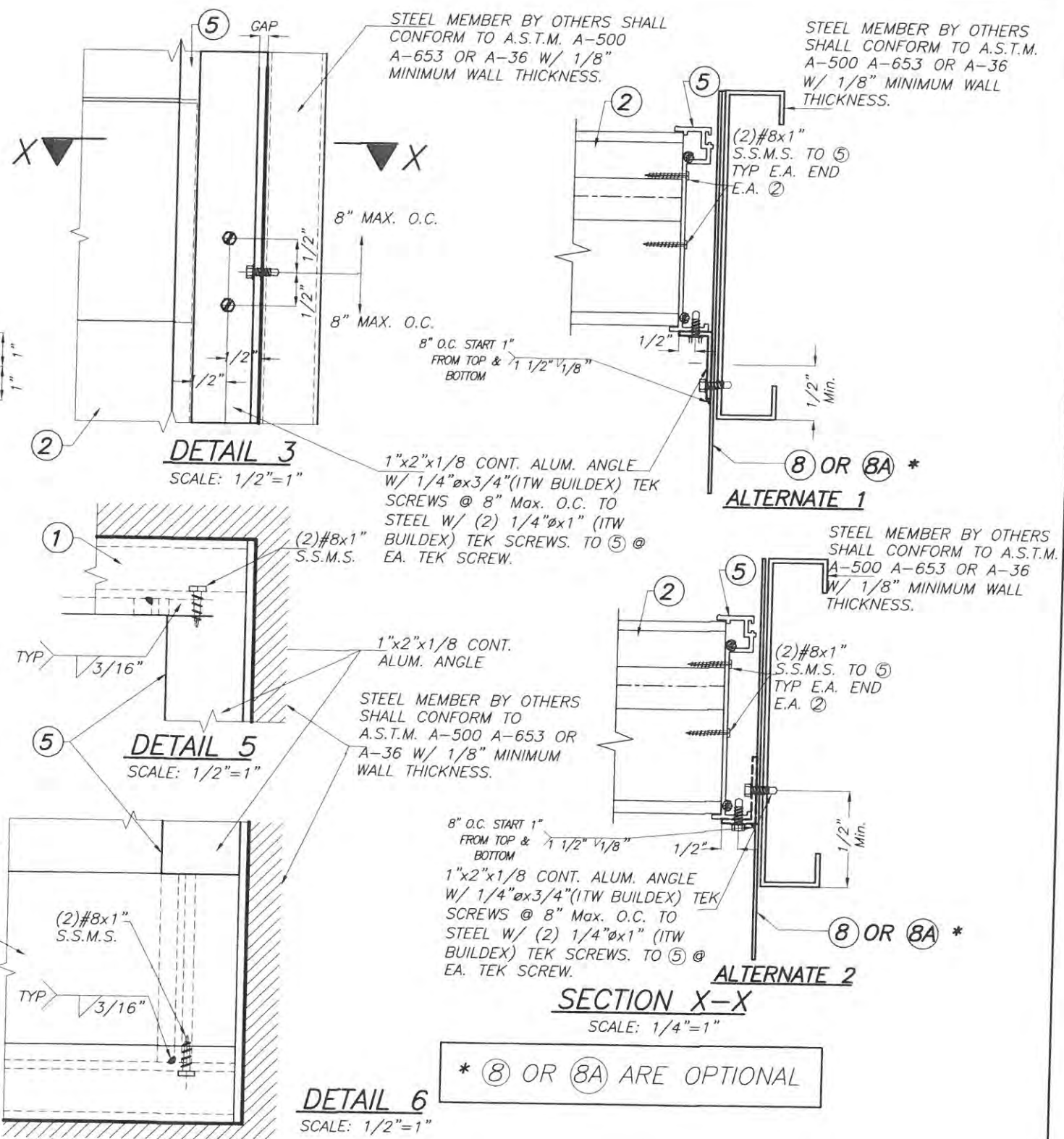
P.E. SEAL/SIGNATURE/DATE



SECTION E-E
SCALE: 1/4"=1"



2"x4"xVARIESx0'-8" ANGLE
SECTION Y-Y
SCALE: 1/4"=1"



DETAIL 3
SCALE: 1/2"=1"

DETAIL 5
SCALE: 1/2"=1"

DETAIL 6
SCALE: 1/2"=1"

SECTION X-X
SCALE: 1/4"=1"

* 8 OR 8A ARE OPTIONAL

MULLION AND JAMB INSTALLATION INTO 1/8" THICK MIN. STEEL

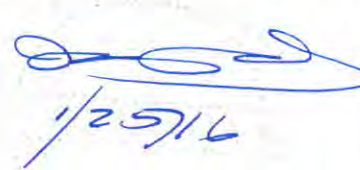
[Signature]
1/25/16
P.E. SEAL/SIGNATURE/DATE

WALTER A. TILLIT Jr P.E.
PROFESSIONAL ENGINEER
6355 N.W. 36 STREET, STE. 305
VIRGINIA GARDENS, FL 33166
PHONE (305) 871-1530 FAX (305) 871-1531
TEXAS LIC. # 90691
FIRM REGISTRATION # F-13790

TEXAS DEPARTMENT OF INSURANCE - 2006					
ALUMINUM LOUVER SYSTEM MODEL FL-D-6					
M.L. DRAWN BY:					
UNITED ENERTECH, INC.					
3005 SOUTH HICKORY ST. CHATTANOOGA, TN 37407 PHONE: (423)698-7715 FAX:(423)698-6629					
01/20/16 DATE:					
16-007 DRAWING No.					
REV. NO	DESCRIPTION	DATE	REV. No	DESCRIPTION	DATE
1	-	-	3	-	-
2	-	-	4	-	-
SHEET 8 OF 13					

MAX. MULLION SPAN SCHEDULE FOR A GIVEN DESIGN PRESSURE RATING & MULLION SPACING *												
DESIGN PRESSURE RATING (psf)	MULLIONS											
	2"x6"x1/4"				4"x6"x1/4" OR (2) 2"x6"x1/4"				4"x8"x1/4"			
	MULLION SPACING				MULLION SPACING				MULLION SPACING			
	3'	4'	5'	6'	3'	4'	5'	6'	3'	4'	5'	6'
30	10' - 0"	10' - 0"	10' - 0"	10' - 0"	12' - 0"	12' - 0"	12' - 0"	12' - 0"	12' - 0"	12' - 0"	12' - 0"	12' - 0"
40	10' - 0"	10' - 0"	10' - 0"	10' - 0"	12' - 0"	12' - 0"	12' - 0"	12' - 0"	12' - 0"	12' - 0"	12' - 0"	12' - 0"
50	10' - 0"	10' - 0"	10' - 0"	10' - 0"	12' - 0"	12' - 0"	12' - 0"	12' - 0"	12' - 0"	12' - 0"	12' - 0"	12' - 0"
60	10' - 0"	10' - 0"	10' - 0"	10' - 0"	12' - 0"	12' - 0"	12' - 0"	12' - 0"	12' - 0"	12' - 0"	12' - 0"	12' - 0"
70	10' - 0"	10' - 0"	10' - 0"	10' - 0"	12' - 0"	12' - 0"	12' - 0"	11' - 10"	12' - 0"	12' - 0"	12' - 0"	12' - 0"
80	10' - 0"	10' - 0"	10' - 0"	9' - 9"	12' - 0"	12' - 0"	12' - 0"	11' - 4"	12' - 0"	12' - 0"	12' - 0"	12' - 0"
90	10' - 0"	10' - 0"	10' - 0"	9' - 5"	12' - 0"	12' - 0"	11' - 7"	10' - 11"	12' - 0"	12' - 0"	12' - 0"	12' - 0"
100	10' - 0"	10' - 0"	9' - 8"	9' - 0"	12' - 0"	12' - 0"	11' - 2"	10' - 6"	12' - 0"	12' - 0"	12' - 0"	12' - 0"
110	10' - 0"	10' - 0"	9' - 4"	8' - 7"	12' - 0"	11' - 8"	10' - 10"	10' - 2"	12' - 0"	12' - 0"	12' - 0"	12' - 0"
120	10' - 0"	9' - 9"	9' - 0"	8' - 2"	12' - 0"	11' - 4"	10' - 6"	9' - 11"	12' - 0"	12' - 0"	12' - 0"	12' - 0"
130	10' - 0"	9' - 6"	8' - 7"	7' - 10"	12' - 0"	11' - 0"	10' - 3"	9' - 8"	12' - 0"	12' - 0"	12' - 0"	12' - 0"
140	10' - 0"	9' - 3"	8' - 4"	7' - 7"	11' - 10"	10' - 9"	10' - 0"	9' - 5"	12' - 0"	12' - 0"	12' - 0"	11' - 11"
150	10' - 0"	9' - 0"	8' - 0"	7' - 4"	11' - 7"	10' - 6"	9' - 9"	9' - 2"	12' - 0"	12' - 0"	12' - 0"	11' - 6"

* SEE ADDITIONAL LIMITATIONS FOR MAXIMUM MULLION SPAN ON SHEETS 10, 10A, 11, 12 & 13 FOR A MULLION CONNECTION TYPE. MAXIMUM FINAL MULLION SPAN SHALL BE THE MINIMUM VALUE BETWEEN THIS SCHEDULE AND ANY OTHER SCHEDULE GIVEN ON ABOVE MENTIONED SHEETS.

 P.E. SEAL/SIGNATURE/DATE		TEXAS DEPARTMENT OF INSURANCE - 2006																							
		WALTER A. TILLIT Jr P.E. PROFESSIONAL ENGINEER 6355 N.W 36 STREET, STE. 305 VIRGINIA GARDENS, FL 33166 PHONE(305) 871-1530 FAX (305) 871-1531 TEXAS LIC. # 90691 FIRM REGISTRATION # F-13790			ALUMINUM LOUVER SYSTEM MODEL FL-D-6 UNITED ENERTECH, INC. 3005 SOUTH HICKORY ST. CHATTANOOGA, TN 37407 PHONE: (423)698-7715 FAX:(423)698-6629			M.L. DRAWN BY: 01/20/16 DATE: 16-007 DRAWING No. SHEET 9 OF 13																	
<table border="1"> <thead> <tr> <th>REV. NO</th> <th>DESCRIPTION</th> <th>DATE</th> <th>REV. No</th> <th>DESCRIPTION</th> <th>DATE</th> </tr> </thead> <tbody> <tr> <td>1</td> <td>-</td> <td>-</td> <td>3</td> <td>-</td> <td>-</td> </tr> <tr> <td>2</td> <td>-</td> <td>-</td> <td>4</td> <td>-</td> <td>-</td> </tr> </tbody> </table>		REV. NO	DESCRIPTION	DATE	REV. No	DESCRIPTION	DATE	1	-	-	3	-	-	2	-	-	4	-	-						
REV. NO	DESCRIPTION	DATE	REV. No	DESCRIPTION	DATE																				
1	-	-	3	-	-																				
2	-	-	4	-	-																				

MAX. MULLION SPAN (L ft) FOR A GIVEN DESIGN PRESSURE RATING (psf) & MULLION SPACING FOR TYPE 12 CONNECTION *

DESIGN PRESSURE RATING	MULLION SPACING			
	3	4	5	6
30	12'-0"	11'-3"	9'-0"	7'-6"
40	12'-0"	8'-5"	6'-9"	5'-8"
50	11'-3"	6'-9"	5'-5"	4'-6"
60	9'-0"	5'-8"	4'-6"	3'-9"
70	7'-6"	4'-10"	3'-10"	3'-3"
80	6'-5"	4'-3"	3'-5"	2'-10"
90	5'-8"	3'-9"	3'-0"	2'-6"
100	5'-0"	3'-5"	2'-8"	2'-3"
110	4'-6"	3'-1"	2'-6"	2'-1"
120	4'-1"	2'-10"	2'-3"	1'-11"
130	3'-9"	2'-7"	2'-1"	1'-9"
140	3'-6"	2'-5"	1'-11"	1'-7"
150	3'-0"	2'-3"	1'-10"	1'-6"

TYPE 12 CONNECTION TO POURED CONCRETE:
 2 - 1/4" Ø CRETE-FLEX SS4 (ELCO CONSTRUCTION PRODUCTS) W/ 2" MIN. EMBEDMENT TO POURED CONCRETE.
 8" MIN. MEMBER THICKNESS. W/ 2 1/2" MIN. E.D & 6" MIN. SPACING

MAX. MULLION SPAN (L ft) FOR A GIVEN DESIGN PRESSURE RATING (psf) & MULLION SPACING FOR TYPE 13 CONNECTION *

DESIGN PRESSURE RATING	MULLION SPACING			
	3	4	5	6
30	12'-0"	11'-7"	9'-3"	7'-8"
40	11'-7"	8'-8"	6'-11"	5'-9"
50	9'-3"	6'-11"	5'-7"	4'-7"
60	7'-8"	5'-9"	4'-7"	3'-10"
70	6'-7"	4'-11"	3'-12"	3'-4"
80	5'-9"	4'-4"	3'-6"	2'-11"
90	5'-2"	3'-10"	3'-1"	2'-1"
100	4'-7"	3'-6"	2'-9"	2'-4"
110	4'-2"	3'-2"	2'-6"	2'-1"
120	3'-10"	2'-11"	2'-4"	1'-11"
130	3'-7"	2'-8"	2'-2"	1'-9"
140	3'-4"	2'-6"	1'-12"	1'-8"
150	3'-1"	2'-4"	1'-10"	1'-7"

TYPE 13 CONNECTION TO POURED CONCRETE:
 2 - 5/16" Ø ULTRACON (ELCO CONSTRUCTION PRODUCTS) W/ 3/4" Min EMBEDMENT TO POURED CONCRETE.
 8" MIN. MEMBER THICKNESS. W/ 3/16" MIN. E.D & 6" MIN. SPACING

MAX. MULLION SPAN (L ft) FOR A GIVEN DESIGN PRESSURE RATING (psf) & MULLION SPACING FOR TYPE 14 CONNECTION *

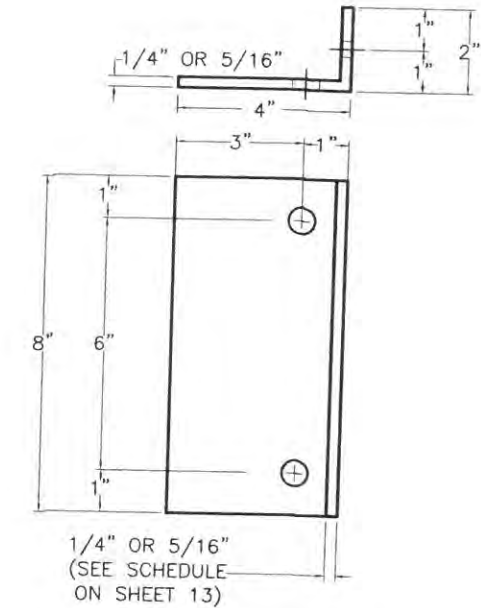
DESIGN PRESSURE RATING	MULLION SPACING			
	3	4	5	6
30	12'-0"	10'-10"	8'-8"	7'-2"
40	10'-10"	8'-1"	6'-6"	5'-5"
50	8'-8"	6'-6"	5'-2"	4'-4"
60	7'-2"	5'-5"	4'-4"	3'-7"
70	6'-2"	4'-8"	3'-8"	3'-1"
80	5'-5"	4'-1"	3'-3"	2'-8"
90	4'-10"	3'-7"	2'-11"	2'-5"
100	4'-4"	3'-3"	2'-7"	2'-2"
110	3'-11"	2'-11"	2'-4"	1'-12"
120	3'-7"	2'-8"	2'-2"	1'-10"
130	3'-4"	2'-6"	1'-12"	1'-8"
140	3'-1"	2'-4"	1'-10"	1'-7"
150	2'-11"	2'-2"	1'-9"	1'-5"

TYPE 14 CONNECTION TO POURED CONCRETE:
 2 - 5/16" Ø TAPPER PLUS (POWER FASTENERS) W/ 3" Min. EMBEDMENT TO POURED CONCRETE.
 8" MIN. MEMBER THICKNESS. W/ 2 1/2" MIN. E.D & 6" MIN. SPACING

MAX. MULLION SPAN (L ft) FOR A GIVEN DESIGN PRESSURE RATING (psf) & MULLION SPACING FOR TYPE 15 CONNECTION *

DESIGN PRESSURE RATING	MULLION SPACING			
	3	4	5	6
30	12'-0"	12'-0"	12'-0"	10'-3"
40	12'-0"	11'-7"	9'-3"	7'-8"
50	12'-0"	9'-3"	7'-5"	6'-2"
60	10'-3"	7'-8"	6'-2"	5'-2"
70	8'-10"	6'-7"	5'-3"	4'-5"
80	7'-8"	5'-9"	4'-7"	3'-10"
90	6'-10"	5'-2"	4'-1"	3'-5"
100	6'-2"	4'-7"	3'-8"	3'-1"
110	5'-7"	4'-2"	3'-4"	2'-10"
120	5'-2"	3'-10"	3'-1"	2'-7"
130	4'-9"	3'-7"	2'-10"	2'-4"
140	4'-5"	3'-4"	2'-8"	2'-2"
150	4'-1"	3'-1"	2'-6"	2'-1"

TYPE 15 CONNECTION TO POURED CONCRETE:
 2 - 3/8" Ø WEDGE BOLT (POWER FASTENERS) W/ 3" MIN. EMBEDMENT TO POURED CONCRETE.
 8" MIN. MEMBER THICKNESS. W/ 2 1/2" MIN. E.D & 6" MIN. SPACING



2"x4"xVARIESx0'-8" ALUMINUM ANGLE

SCHEDULE FOR MULLION CONNECTION TO POURED CONCRETE
 (Min. f'c = 3 ksi)

*** NOTES:**

(1) SEE SHEET 9 FOR ADDITIONAL MAXIMUM MULLION SPAN LIMITATIONS FOR A GIVEN DESIGN PRESSURE RATING AND MAXIMUM SPACING. MAXIMUM MULLION SPAN SHALL BE THE MINIMUM BETWEEN SCHEDULES ON SHEETS 9, 10 AND 10A FOR A CONNECTION TYPE.

(2) SEE SHEET 13 FOR ANGLE SCHEDULE INDICATING MAXIMUM ALLOWABLE DESIGN PRESSURE RATING, MULLION SPACING AND MULLION SPAN FOR 1/4" THICK & 5/16" THICK ALUMINUM ANGLES USED TOP & BOTTOM FOR MULLION CONNECTION TO SUBSTRATE.

[Signature]
 1/25/16
 P.E. SEAL/SIGNATURE/DATE

WALTER A. TILLIT Jr P.E.
 PROFESSIONAL ENGINEER
 6355 N.W. 36 STREET, STE. 305
 VIRGINIA GARDENS, FL 33166
 PHONE: (305) 871-1530 FAX: (305) 871-1531
 TEXAS LIC. # 90691
 FIRM REGISTRATION # F-13790

TEXAS DEPARTMENT OF INSURANCE - 2006

ALUMINUM LOUVER SYSTEM MODEL FL-D-6

UNITED ENERTECH, INC.

3005 SOUTH HICKORY ST.
 CHATTANOOGA, TN 37407
 PHONE: (423)698-7715 FAX: (423)698-6629

M.L.
 DRAWN BY:

01/20/16
 DATE:

16-007

DRAWING No.

REV. NO	DESCRIPTION	DATE	REV. No	DESCRIPTION	DATE
1	-	-	3	-	-
2	-	-	4	-	-

SHEET 10A OF 13

MAX. MULLION SPAN (L ft) FOR A GIVEN DESIGN PRESSURE RATING & MULLION SPACING FOR TYPE 12 CONNECTION *

D.P.R. (psf)	MULLION SPACING			
	3	4	5	6
50	6'-6"	4'-10"	3'-11"	3'-3"
60	5'-0"	4'-1"	3'-3"	2'-8"
70	4'-0"	3'-6"	2'-9"	2'-4"
80	4'-0"	3'-0"	2'-5"	2'-0"
90	3'-0"	2'-8"	2'-2"	1'-10"

TYPE 12 CONNECTION W/ 1/4" THICK ALUMINUM ANGLE TO WOOD
4-3/8" LAG SCREWS W/ 1.5" Min. THREADED PENETRATION
W/ 2" E.D. & 2" SPACING

MAX. MULLION SPAN (L ft) FOR A GIVEN DESIGN PRESSURE RATING & MULLION SPACING FOR TYPE 13 CONNECTION *

D.P.R. (psf)	MULLION SPACING			
	3	4	5	6
50	12'-0"	9'-11"	7'-11"	6'-7"
60	11'-0"	8'-3"	6'-7"	5'-8"
70	9'-0"	7'-1"	5'-8"	4'-9"
80	8'-0"	6'-2"	4'-11"	4'-2"
90	7'-0"	5'-6"	4'-5"	3'-8"
55	12'-0"	9'-0"	7'-2"	6'-0"

TYPE 13 CONNECTION W/ 1/4" THICK ALUMINUM ANGLE TO WOOD
4-3/8" LAG SCREWS W/ 3" Min. THREADED PENETRATION
W/ 2" E.D. & 2" SPACING

MAX. MULLION SPAN (L ft) FOR A GIVEN DESIGN PRESSURE RATING & MULLION SPACING FOR TYPE 14 CONNECTION *

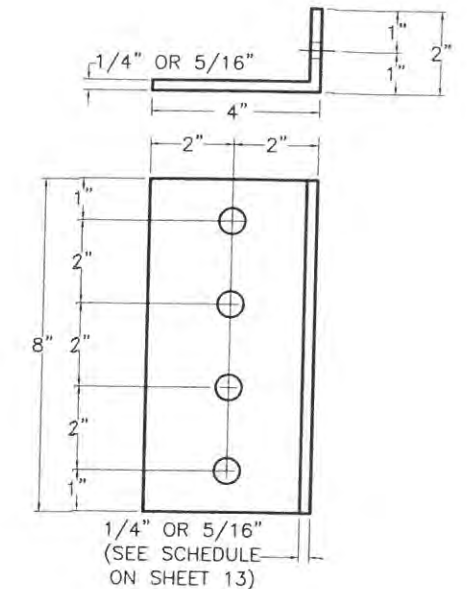
D.P.R. (psf)	MULLION SPACING			
	3	4	5	6
50	7'-2"	5'-5"	4'-4"	3'-7"
60	6'-0"	4'-6"	3'-7"	3'-0"
70	5'-0"	3'-10"	3'-1"	2'-7"
80	4'-0"	3'-5"	2'-8"	2'-3"
90	4'-0"	3'-0"	2'-5"	2'-0"

TYPE 14 CONNECTION W/ 5/16" THICK ALUMINUM ANGLE TO WOOD
4-3/8" LAG SCREWS W/ 1.5" Min. THREADED PENETRATION
W/ 2" E.D. & 2" SPACING

MAX. MULLION SPAN (L ft) FOR A GIVEN DESIGN PRESSURE RATING & MULLION SPACING FOR TYPE 15 CONNECTION *

D.P.R. (psf)	MULLION SPACING			
	3	4	5	6
50	12'-0"	10'-10"	8'-8"	7'-2"
60	12'-0"	9'-0"	7'-2"	6'-0"
70	10'-0"	7'-9"	6'-2"	5'-2"
80	9'-0"	6'-9"	5'-5"	4'-6"
90	8'-0"	6'-0"	4'-10"	4'-0"
60	12'-0"	9'-0"	7'-2"	6'-0"

TYPE 15 CONNECTION W/ 5/16" THICK ALUMINUM ANGLE TO WOOD
4-3/8" LAG SCREWS W/ 3" Min. THREADED PENETRATION
W/ 2" E.D. & 2" SPACING



2"x4"xVARIESx0'-8" ALUMINUM ANGLE

MAX. MULLION SPAN (L ft) FOR A GIVEN DESIGN PRESSURE RATING & MULLION SPACING FOR TYPE 16 CONNECTION *

D.P.R. (psf)	MULLION SPACING			
	3	4	5	6
50	12'-0"	9'-4"	7'-6"	6'-3"
60	10'-0"	7'-10"	6'-3"	5'-2"
70	8'-0"	6'-8"	5'-4"	4'-5"
80	7'-0"	5'-10"	4'-8"	3'-11"
90	6'-0"	5'-2"	4'-2"	3'-6"
62	12'-0"	9'-0"	7'-2"	6'-0"

TYPE 16 CONNECTION W/ 1/4" THICK ALUMINUM ANGLE TO WOOD
8-3/8" LAG SCREWS W/ 1.5" Min. THREADED PENETRATION
W/ 1.25" E.D. & 2" SPACING

MAX. MULLION SPAN (L ft) FOR A GIVEN DESIGN PRESSURE RATING & MULLION SPACING FOR TYPE 17 CONNECTION *

D.P.R. (psf)	MULLION SPACING			
	3	4	5	6
50	12'-0"	12'-0"	12'-0"	12'-0"
60	12'-0"	12'-0"	12'-0"	10'-6"
70	12'-0"	12'-0"	10'-10"	9'-0"
80	12'-0"	11'-10"	9'-5"	7'-11"
90	12'-0"	10'-6"	8'-5"	7'-0"
105	12'-0"	9'-0"	7'-2"	6'-0"

TYPE 17 CONNECTION W/ 1/4" THICK ALUMINUM ANGLE TO WOOD
8-3/8" LAG SCREWS W/ 3" Min. THREADED PENETRATION
W/ 1.25" E.D. & 2" SPACING

MAX. MULLION SPAN (L ft) FOR A GIVEN DESIGN PRESSURE RATING & MULLION SPACING FOR TYPE 18 CONNECTION *

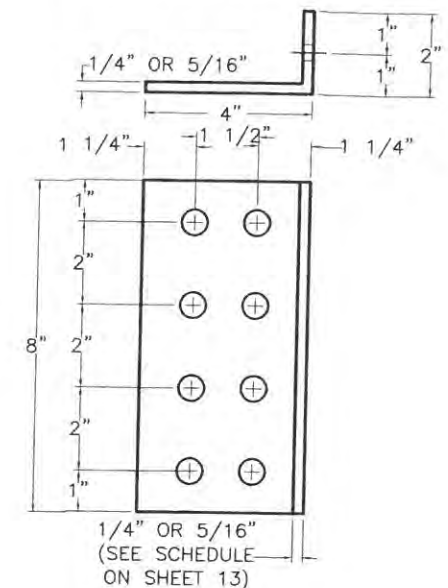
D.P.R. (psf)	MULLION SPACING			
	3	4	5	6
50	12'-0"	9'-9"	7'-9"	6'-6"
60	10'-0"	8'-1"	6'-6"	5'-5"
70	9'-0"	6'-11"	5'-7"	4'-8"
80	8'-0"	6'-1"	4'-10"	4'-1"
90	7'-0"	5'-5"	4'-4"	3'-7"
54	12'-0"	9'-0"	7'-2"	6'-0"

TYPE 18 CONNECTION W/ 5/16" THICK ALUMINUM ANGLE TO WOOD
8-3/8" LAG SCREWS W/ 1.5" Min. THREADED PENETRATION
W/ 1.25" E.D. & 2" SPACING

MAX. MULLION SPAN (L ft) FOR A GIVEN DESIGN PRESSURE RATING & MULLION SPACING FOR TYPE 19 CONNECTION *

D.P.R. (psf)	MULLION SPACING			
	3	4	5	6
50	12'-0"	12'-0"	12'-0"	12'-0"
60	12'-0"	12'-0"	12'-0"	12'-0"
70	12'-0"	12'-0"	12'-0"	10'-5"
80	12'-0"	12'-0"	11'-0"	9'-2"
90	12'-0"	12'-0"	9'-9"	8'-2"
122	12'-0"	9'-0"	7'-2"	6'-0"

TYPE 19 CONNECTION W/ 5/16" THICK ALUMINUM ANGLE TO WOOD
8-3/8" LAG SCREWS W/ 3" Min. THREADED PENETRATION
W/ 1.25" E.D. & 2" SPACING



2"x4"xVARIESx0'-8" ALUMINUM ANGLE

SCHEDULE FOR MULLION CONNECTION TO WOOD

(Min. G= 0.55)

*** NOTES:**

(1) SEE SHEET 9 FOR ADDITIONAL MAXIMUM MULLION SPAN LIMITATIONS FOR A GIVEN DESIGN PRESSURE RATING AND MAXIMUM SPACING. MAXIMUM MULLION SPAN SHALL BE THE MINIMUM BETWEEN SCHEDULES ON SHEET 9 AND THIS SHEETS FOR A CONNECTION TYPE.

(2) SEE SHEET 13 FOR ANGLE SCHEDULE INDICATING MAXIMUM ALLOWABLE DESIGN PRESSURE RATING, MULLION SPACING AND MULLION SPAN FOR 1/4" THICK & 5/16" THICK ALUMINUM ANGLES USED TOP & BOTTOM FOR MULLION CONNECTION TO SUBSTRATE.

 P.E. SEAL/SIGNATURE/DATE		TEXAS DEPARTMENT OF INSURANCE - 2006			
		ALUMINUM LOUVER SYSTEM MODEL FL-D-6			
WALTER A. TILLIT Jr P.E. PROFESSIONAL ENGINEER 6355 N.W. 36 STREET, STE. 305 VIRGINIA GARDENS, FL 33166 PHONE(305) 871-1530 FAX (305) 871-1531 TEXAS LIC. # 90691 FIRM REGISTRATION # F-13790		UNITED ENERTECH, INC. 3005 SOUTH HICKORY ST. CHATTANOOGA, TN 37407 PHONE: (423)698-7715 FAX:(423)698-6629			
M.L. DRAWN BY:		DATE:			
16-007		DRAWING No.			
REV. NO	DESCRIPTION	DATE	REV. No	DESCRIPTION	DATE
1	-	-	3	-	-
2	-	-	4	-	-

MAX. MULLION SPAN (L ft) FOR A GIVEN DESIGN PRESSURE RATING & MULLION SPACING FOR TYPE 20 CONNECTION *

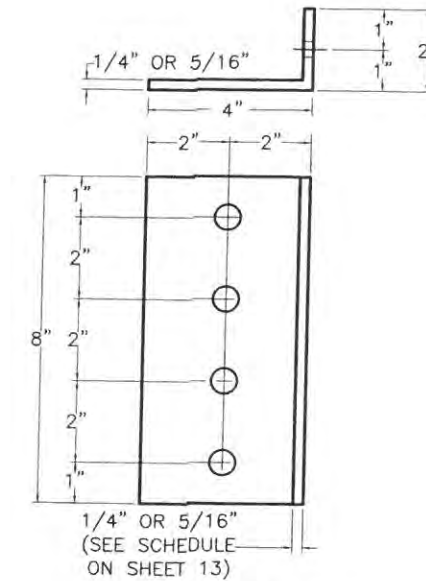
D.P.R. (psf)	MULLION SPACING			
	3	4	5	6
30	12'-0"	12'-0"	12'-0"	12'-0"
40	12'-0"	12'-0"	12'-0"	12'-0"
50	12'-0"	12'-0"	12'-0"	12'-0"
60	12'-0"	12'-0"	12'-0"	12'-0"
70	12'-0"	12'-0"	12'-0"	12'-0"
80	12'-0"	12'-0"	12'-0"	12'-0"
90	12'-0"	12'-0"	12'-0"	12'-0"
100	12'-0"	12'-0"	12'-0"	11'-9"
110	12'-0"	12'-0"	12'-0"	10'-8"
120	12'-0"	12'-0"	11'-9"	9'-9"
130	12'-0"	12'-0"	10'-10"	9'-0"
140	12'-0"	12'-0"	10'-1"	8'-5"
150	12'-0"	11'-9"	9'-5"	7'-10"

TYPE 20 CONNECTION W/ 1/4" THICK ALUMINUM ANGLE* TO STEEL
4 - 3/8"-16 MACHINE SCREWS W/ 3/4" E.D.
& W/ 1/8" MIN. MEMBER THICKNESS

MAX. MULLION SPAN (L ft) FOR A GIVEN DESIGN PRESSURE RATING & MULLION SPACING FOR TYPE 21 CONNECTION *

D.P.R. (psf)	MULLION SPACING			
	3	4	5	6
30	12'-0"	12'-0"	12'-0"	12'-0"
40	12'-0"	12'-0"	12'-0"	12'-0"
50	12'-0"	12'-0"	12'-0"	12'-0"
60	12'-0"	12'-0"	12'-0"	12'-0"
70	12'-0"	12'-0"	12'-0"	12'-0"
80	12'-0"	12'-0"	12'-0"	12'-0"
90	12'-0"	12'-0"	12'-0"	12'-0"
100	12'-0"	12'-0"	12'-0"	11'-9"
110	12'-0"	12'-0"	12'-0"	10'-8"
120	12'-0"	12'-0"	11'-9"	9'-9"
130	12'-0"	12'-0"	10'-10"	9'-0"
140	12'-0"	12'-0"	10'-1"	8'-5"
150	12'-0"	11'-9"	9'-5"	7'-10"

TYPE 21 CONNECTION W/ 5/16" THICK ALUMINUM ANGLE* TO STEEL
4 - 3/8"-16 MACHINE SCREWS W/ 3/4" E.D.
& W/ 1/8" MIN. MEMBER THICKNESS



2"x4"xVARIESx0'-8" ALUMINUM ANGLE

MAX. MULLION SPAN (L ft) FOR A GIVEN DESIGN PRESSURE RATING & MULLION SPACING FOR TYPE 22 CONNECTION *

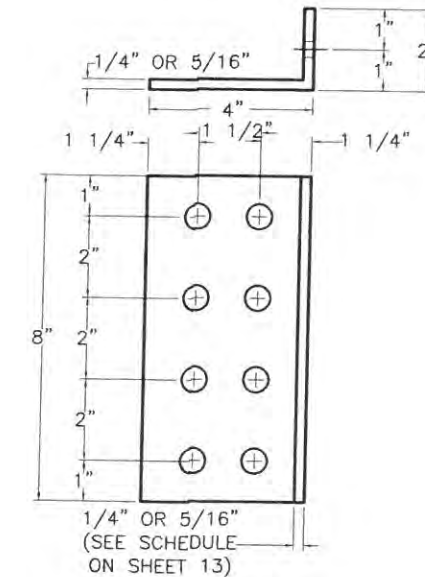
D.P.R. (psf)	MULLION SPACING			
	3	4	5	6
30	12'-0"	12'-0"	12'-0"	12'-0"
40	12'-0"	12'-0"	12'-0"	12'-0"
50	12'-0"	12'-0"	12'-0"	12'-0"
60	12'-0"	12'-0"	12'-0"	12'-0"
70	12'-0"	12'-0"	12'-0"	12'-0"
80	12'-0"	12'-0"	12'-0"	12'-0"
90	12'-0"	12'-0"	12'-0"	12'-0"
100	12'-0"	12'-0"	12'-0"	12'-0"
110	12'-0"	12'-0"	12'-0"	12'-0"
120	12'-0"	12'-0"	12'-0"	12'-0"
130	12'-0"	12'-0"	12'-0"	12'-0"
140	12'-0"	12'-0"	12'-0"	12'-0"
150	12'-0"	12'-0"	12'-0"	12'-0"

TYPE 22 CONNECTION W/ 1/4" THICK ALUMINUM ANGLE* TO STEEL
8 - 3/8"-16 MACHINE SCREWS W/ 3/4" E.D.
& W/ 1/8" MIN. MEMBER THICKNESS

MAX. MULLION SPAN (L ft) FOR A GIVEN DESIGN PRESSURE RATING & MULLION SPACING FOR TYPE 23 CONNECTION *

D.P.R. (psf)	MULLION SPACING			
	3	4	5	6
30	12'-0"	12'-0"	12'-0"	12'-0"
40	12'-0"	12'-0"	12'-0"	12'-0"
50	12'-0"	12'-0"	12'-0"	12'-0"
60	12'-0"	12'-0"	12'-0"	12'-0"
70	12'-0"	12'-0"	12'-0"	12'-0"
80	12'-0"	12'-0"	12'-0"	12'-0"
90	12'-0"	12'-0"	12'-0"	12'-0"
100	12'-0"	12'-0"	12'-0"	12'-0"
110	12'-0"	12'-0"	12'-0"	12'-0"
120	12'-0"	12'-0"	12'-0"	12'-0"
130	12'-0"	12'-0"	12'-0"	12'-0"
140	12'-0"	12'-0"	12'-0"	12'-0"
150	12'-0"	12'-0"	12'-0"	12'-0"

TYPE 23 CONNECTION W/ 5/16" THICK ALUMINUM ANGLE* TO STEEL
8 - 3/8"-16 MACHINE SCREWS W/ 3/4" E.D.
& W/ 1/8" MIN. MEMBER THICKNESS



2"x4"xVARIESx0'-8" ALUMINUM ANGLE

SCHEDULE FOR MULLION CONNECTION TO STEEL

(Min. Fy = 33 ksi)

*** NOTES:**

(1) SEE SHEET 9 FOR ADDITIONAL MAXIMUM MULLION SPAN LIMITATIONS FOR A GIVEN DESIGN PRESSURE RATING AND MAXIMUM SPACING. MAXIMUM MULLION SPAN SHALL BE THE MINIMUM BETWEEN SCHEDULES ON SHEET 9 AND THIS SHEET FOR A CONNECTION TYPE.

(2) SEE SHEET 13 FOR ANGLE SCHEDULE INDICATING MAXIMUM ALLOWABLE DESIGN PRESSURE RATING, MULLION SPACING AND MULLION SPAN FOR 1/4" THICK & 5/16" THICK ALUMINUM ANGLES USED TOP & BOTTOM FOR MULLION CONNECTION TO SUBSTRATE.

 P.E. SEAL/SIGNATURE/DATE		WALTER A. TILLIT Jr P.E. PROFESSIONAL ENGINEER 6355 N.W. 36 STREET, STE. 305 VIRGINIA GARDENS, FL 33166 PHONE (305) 871-1530 FAX (305) 871-1531 TEXAS LIC. # 90691 FIRM REGISTRATION # F-13790		TEXAS DEPARTMENT OF INSURANCE - 2006 ALUMINUM LOUVER SYSTEM MODEL FL-D-6 UNITED ENERTECH, INC. 3005 SOUTH HICKORY ST. CHATTANOOGA, TN 37407 PHONE: (423)698-7715 FAX: (423)698-6629		M.L. DRAWN BY: 01/20/16 DATE: 16-007 DRAWING No.
REV. NO	DESCRIPTION	DATE	REV. NO	DESCRIPTION	DATE	
1	-	-	3	-	-	
2	-	-	4	-	-	

SCHEDULE FOR MAX. MULLION SPAN FOR A GIVEN DESIGN PRESSURE RATING & MULLION SPACING IN ORDER TO USE 1/4" THICK ALUMINUM ANGLE FOR MULLION CONNECTION TO SUBSTRATE

D.P.R. (psf)	MULLION SPACING (ft)			
	3	4	5	6
30	12'-0"	12'-0"	12'-0"	12'-0"
40	12'-0"	12'-0"	12'-0"	12'-0"
50	12'-0"	12'-0"	12'-0"	12'-0"
60	12'-0"	12'-0"	12'-0"	12'-0"
70	12'-0"	12'-0"	12'-0"	12'-0"
80	12'-0"	12'-0"	12'-0"	11'-3"
90	12'-0"	12'-0"	12'-0"	10'-0"
100	12'-0"	12'-0"	10'-10"	9'-0"
110	12'-0"	12'-0"	9'-10"	8'-2"
120	12'-0"	11'-3"	9'-0"	7'-6"
130	12'-0"	10'-5"	8'-4"	6'-11"
140	12'-0"	9'-8"	7'-9"	6'-5"
150	12'-0"	9'-0"	7'-2"	6'-0"

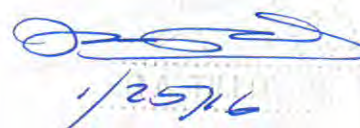
*** NOTES:**

(1) ANY MULLION SPACING OR MULLION SPAN LARGER THAN THE ONES INCLUDED ON THIS SCHEDULE WILL REQUIRE A 5/16" THICK ALUMINUM ANGLE INSTEAD OF 1/4" THICK ALUMINUM ANGLE

(2) SEE SHEET 9 FOR ADDITIONAL MAXIMUM MULLION SPAN LIMITATIONS FOR A GIVEN DESIGN PRESSURE RATING AND MAXIMUM SPACING. MAXIMUM MULLION SPAN SHALL BE THE MINIMUM BETWEEN SCHEDULES ON SHEETS 9, 10, 10A, 11, 12 FOR A CONNECTION TYPE, AND SCHEDULE ON THIS SHEET.

1/2"Ø THRU BOLT REQUIREMENTS FOR CONNECTION OF ALUMINUM ANGLE TO MULLION FOR MULLION END CONNECTION TO SUBSTRATE.

MULLION TYPE	1/2"Ø THRU BOLT REQUIRED
2"x4" & 2"x6"	(1) REQUIRED
(2) 2"x6"	(2) REQUIRED & (1) EACH TUBE
4"x6" & 4"x8"	(2) REQUIRED

TEXAS DEPARTMENT OF INSURANCE - 2006					
 WALTER A. TILLIT Jr P.E. PROFESSIONAL ENGINEER 6355 N.W. 36 STREET, STE. 305 VIRGINIA GARDENS, FL 33166 PHONE(305) 871-1530 FAX (305) 871-1531 TEXAS LIC. # 90691 FIRM REGISTRATION # F-13790				ALUMINUM LOUVER SYSTEM MODEL FL-D-6 UNITED ENERTECH, INC. 3005 SOUTH HICKORY ST. CHATTANOOGA, TN 37407 PHONE: (423)698-7715 FAX:(423)698-6629	
		M.L. DRAWN BY:		01/20/16 DATE:	
				16-007 DRAWING No.	
REV. NO	DESCRIPTION	DATE	REV. No	DESCRIPTION	DATE
1	-	-	3	-	-
2	-	-	4	-	-